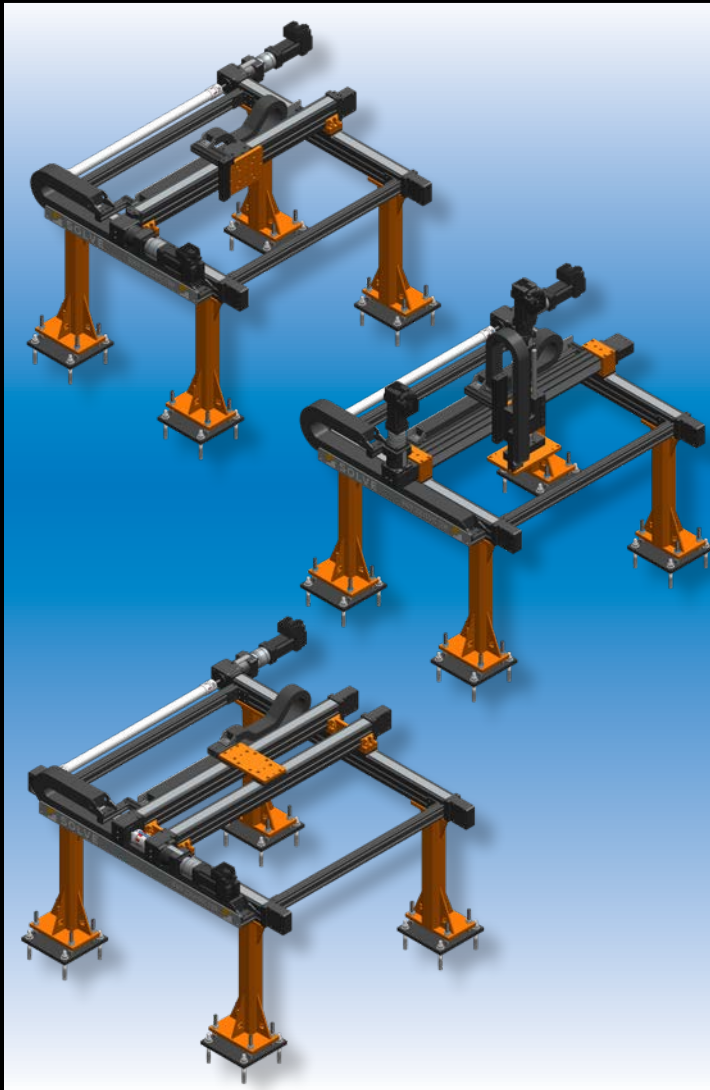


GANTRY & MULTI-AXIS SOLUTIONS

Pre-engineered Systems

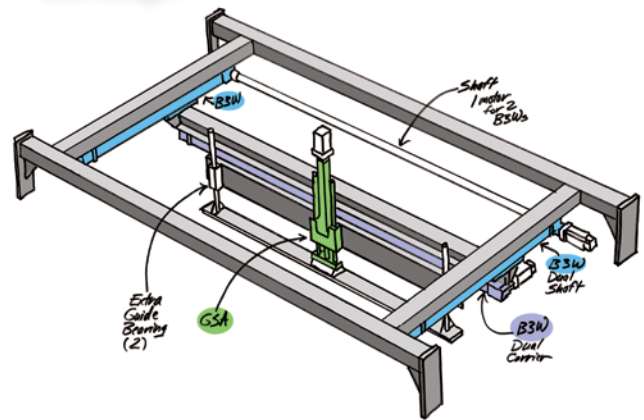
Stroke configurable



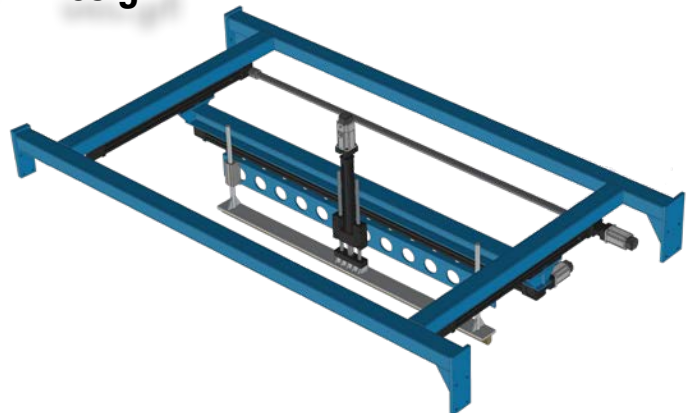
Customized Systems

Designed for the application

Concept



Design



Robust multi-axis and gantry systems designed to handle:

- High duty cycle applications
- Moving loads of significant mass
- Flexibility in design with comprehensive product line of rodless and rod-style actuators



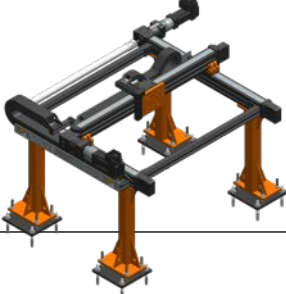
SOLVE

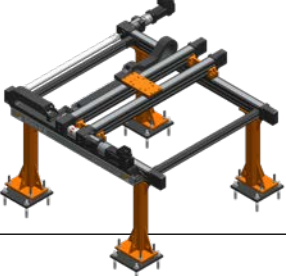
LINEAR SOLUTIONS MADE EASY

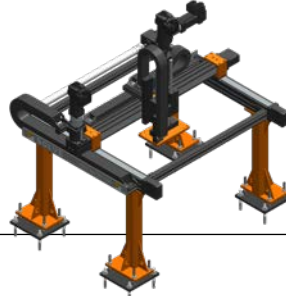
Robust. Flexible. Fast.

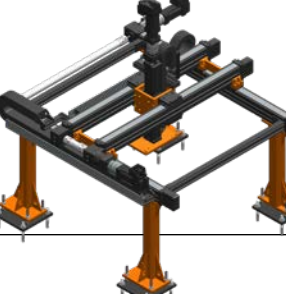
Looking for a proven pre-engineered design?
These are the systems for you.

- Pre-engineered designs, stroke configurable
- Designed with the base system using the B3W series of belt driven actuators that provide significant load capabilities
- Specify the motor of your choice with the Tolomatic's Your Motor Here program
- Complete the system by adding mounting brackets or grippers, etc.

 Two Axis XX'-Y(D) Gantry	Stroke		Load Capability		Speed (X & Y)	
	in	mm	lb	kg	in/sec	mm/sec
	24 x 24	610 x 610	50	22.7	100	2,540
36 x 36	914 x 914	150	68.0	135	3,429	
48 x 48	1,219 x 1,219	250	113.4	160	4,064	

 Two Axis XX'-YY'(D) Gantry	Stroke		Load Capability		Speed (X & Y)	
	in	mm	lb	kg	in/sec	mm/sec
	24 x 24	610 x 610	100	45.4	100	2,540
36 x 36	914 x 914	200	90.7	105	2,667	
48 x 48	1,219 x 1,219	300	136.1	110	2,794	

 Three Axis XX'-Y(D)-Z Gantry	Stroke (X & Y)		Stroke (Z)		Load Capability		Speed (X & Y)		Speed (Z)	
	in	mm	in	mm	lb	kg	in/sec	mm/sec	in/sec	mm/sec
	24 x 24	610 x 610	8	203	75	34.0	100	2,540	4	102
36 x 36	914 x 914	12	305	275	124.7	100	2,540	20	508	
48 x 48	1,219 x 1,219	16	406	350	158.8	100	2,540	6	152	

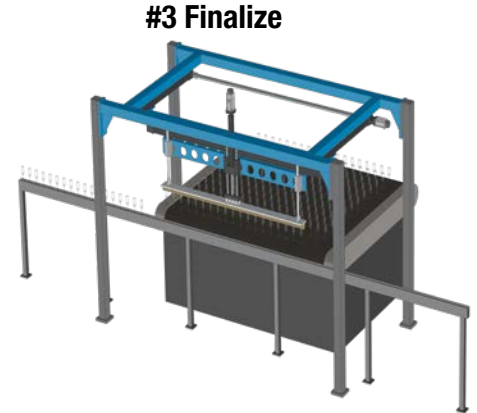
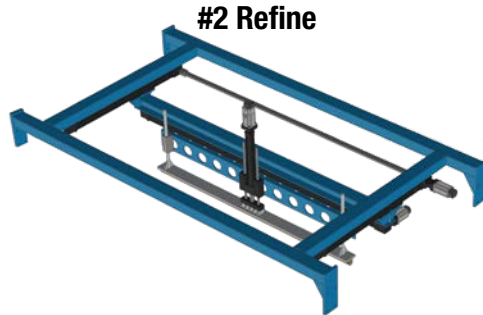
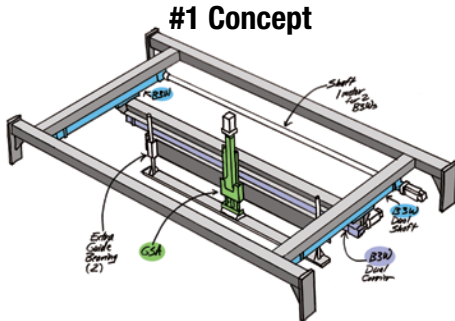
 Three Axis XX'-YY'(D)-Z Gantry	Stroke (X & Y)		Stroke (Z)		Load Capability		Speed (X & Y)		Speed (Z)	
	in	mm	in	mm	lb	kg	in/sec	mm/sec	in/sec	mm/sec
	24 x 24	610 x 610	8	203	100	45.4	110	2,794	4	102
36 x 36	914 x 914	12	305	275	124.7	110	2,794	20	508	
48 x 48	1,219 x 1,219	16	406	400	181.4	110	2,794	6	152	

* A sizing should be completed by a Tolomatic representative to ensure the configured gantry meets application needs. Load capability and speed are inversely related so max loads and max speeds listed are not simultaneously possible in the same gantry system.

Designing and building a solution for your challenge

For weight, size or space challenges that don't fit within pre-engineered designs... then we can help you design a custom solution. We have been creating flexible, robust, high duty cycle gantry systems for decades.

Easy three step process to a custom solution – work with experts at Tolomatic and Solve.



Begin with:

CONCEPT:

- "Napkin" sketch
- Budget
- Loads
- Speeds

Key Design Considerations

MOVEMENT:

End Customer

- Speeds
- Cycle time
- Accuracy
- Repeatability
- Dwells

SPACE:

End Customer

- Working envelope
- Stroke length
- Environment Concerns

LOAD:

End Customer

- Weights
- Load dimensions
- Forces
- Center of gravity

Final Design

Design details:

- CAD layout
- Approval drawing sign-off
- Total cost of ownership
- Life

Final Assembly:

- Factory
- Integrator
- Field

Tolomatic & Partner

- Screw/Belt per axis
- Motor/drive
- Gearboxes
- X, Y, Z interaction

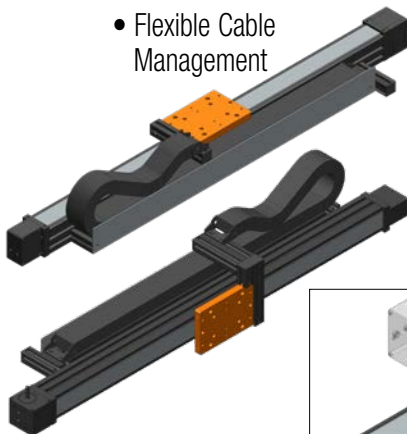
Tolomatic & Partner

- Stroke over travel
- Required installation envelope
- Cable management
- Mounting considerations

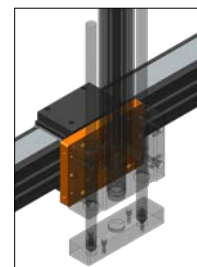
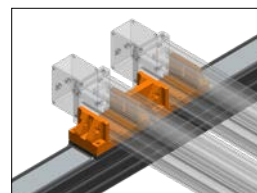
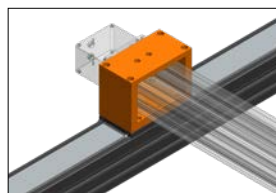
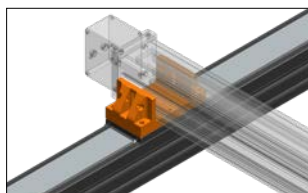
Tolomatic & Partner

- Moment loads
- Tooling

- Flexible Cable Management



- Transition plates



More than just actuators, these additional components & services make up a complete gantry system:

- Cable Track
- Cable Tray
- Base plates
- Jack Shafts and Couplers
- Framing: Tubular – Steel – Extrusion
- EOAT design: End of Arm Tooling (vacuum, gripper, load cell)
- Customer run-off
- Units can be shipped in kit form or other depending on size
- On-site support



MADE IN U.S.A.

Tolomatic™

EXCELLENCE IN MOTION

COMPANY WITH
QUALITY SYSTEM
CERTIFIED BY DNV
= ISO 9001 =
Certified site: Hamel, MN

USA - Headquarters

Tolomatic Inc.
3800 County Road 116
Hamel, MN 55340, USA
Phone: (763) 478-8000
Toll-Free: **1-800-328-2174**
sales@tolomatic.com
www.tolomatic.com

MEXICO

Centro de Servicio
Parque Tecnológico Innovación
Int. 23, Lateral Estatal 431,
Santiago de Querétaro,
El Marqués, México, C.P. 76246
Phone: +1 (763) 478-8000
help@tolomatic.com

EUROPE

Tolomatic Europe GmbH
Elisabethenstr. 20
65428 Rüsselsheim
Germany
Phone: +49 6142 17604-0
help@tolomatic.eu
www.tolomatic.com/de-de

CHINA

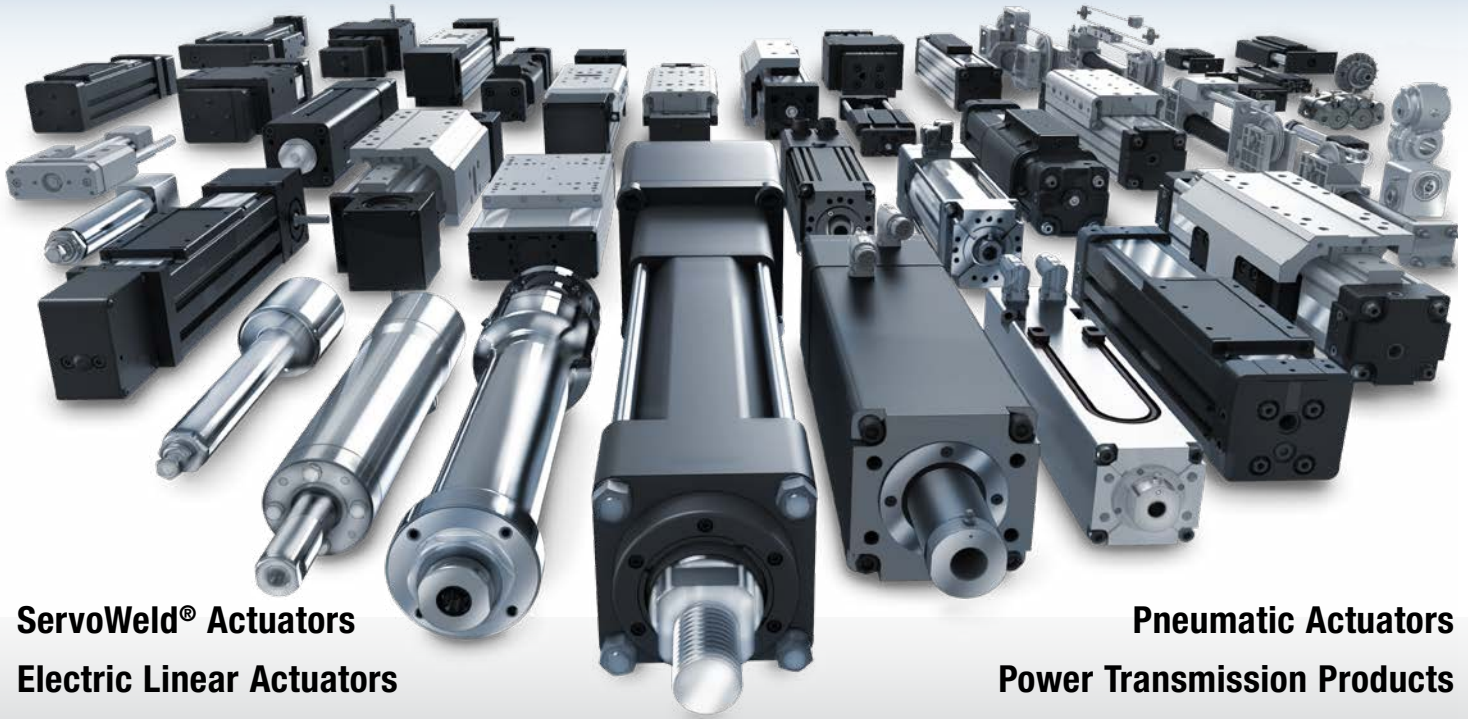
**Tolomatic Automation Products
(Suzhou) Co. Ltd.**
No. 60 Chuangye Street, Building 2
Huqiu District, SND Suzhou
Jiangsu 215011 - P.R. China
Phone: +86 (512) 6750-8506
TolomaticChina@tolomatic.com

All brand and product names are trademarks or registered trademarks of their respective owners. Information in this document is believed accurate at time of printing. However, Tolomatic assumes no responsibility for its use or for any errors

that may appear in this document. Tolomatic reserves the right to change the design or operation of the equipment described herein and any associated motion products without notice. Information in this document is subject to change without notice.

Visit www.tolomatic.com for the most up-to-date technical information

Learn More About Tolomatic Products:



ServoWeld® Actuators
Electric Linear Actuators

Pneumatic Actuators
Power Transmission Products

Proven partner for development of multi-axis systems:



SOLVE

info@solvenc.com
Tel: **646.431.4673**

SOLVE HQ
348 West 36th Street
New York, NY 10018

SOLVE SHOP
917 Lincoln Ave., Unit #8
Holbrook, NY 11741

- Engineering Design
- Component Kits
- Full Service Fabrication

Solve consists of a team of engineers, designers and creatives based in NYC. We're problem solvers and solution specialists committed to creating change through design. We treat each project with purpose and stand behind everything that leaves our doors. Our mission is simple - empower innovation without limitation.