

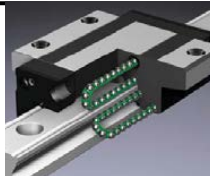
# RODLESS BELT-DRIVE ACTUATOR W/ PROFILED RAIL

# MXB-P

Designed for applications requiring moderate to heavy load carrying and guidance, the MXB-P actuator features a profiled rail system with recirculating ball linear guides for optimal performance. The MXB-P features speeds up to 3,810 mm/sec (150 in/sec) and thrusts up to 1,859N (418 lbf). Built-to-order in stroke lengths up to 10.5 m (414 in).

### RECIRCULATING BALL BEARINGS

High precision recirculating ball bearings allow smooth, high speed operation and permit large moment loads

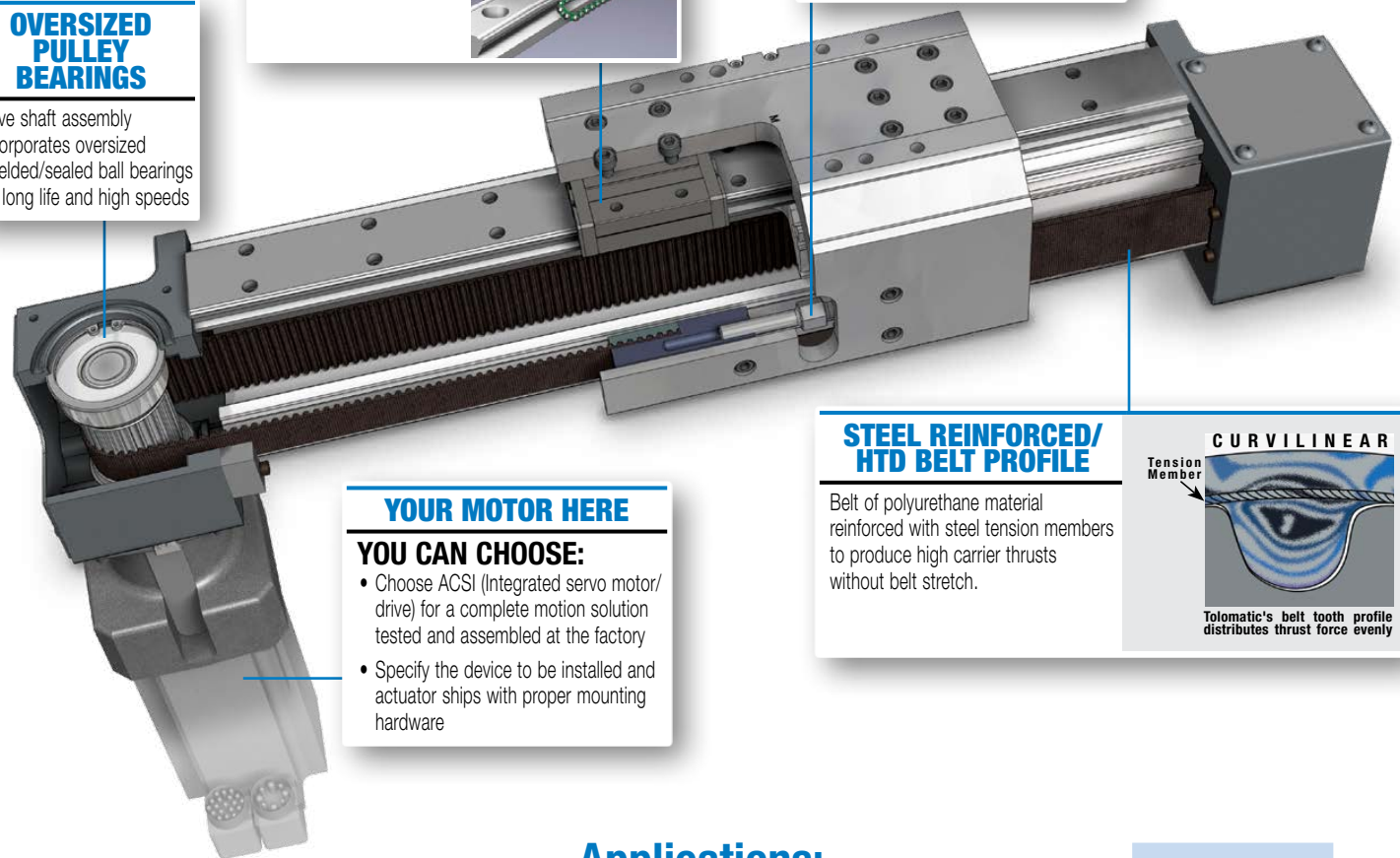


### BELT TENSIONING SYSTEM

The open slot on the guide plate permits easy access to the belt tensioning screw. No disassembly required

### OVERSIZED PULLEY BEARINGS

Drive shaft assembly incorporates oversized shielded/sealed ball bearings for long life and high speeds



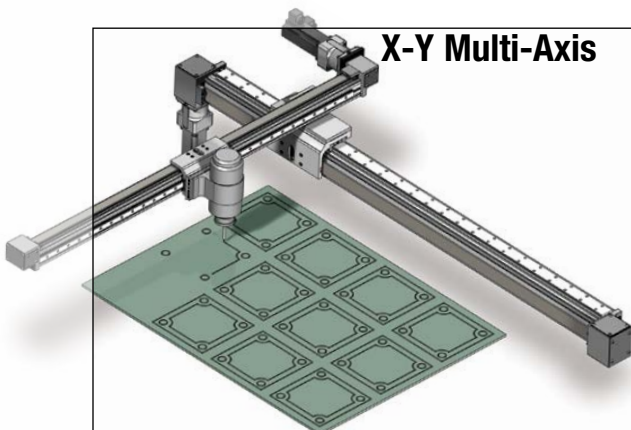
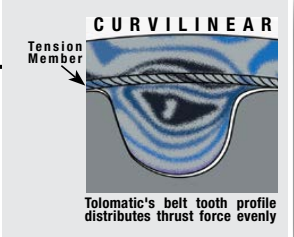
### YOUR MOTOR HERE

#### YOU CAN CHOOSE:

- Choose ACI (Integrated servo motor/ drive) for a complete motion solution tested and assembled at the factory
- Specify the device to be installed and actuator ships with proper mounting hardware

### STEEL REINFORCED/HTD BELT PROFILE

Belt of polyurethane material reinforced with steel tension members to produce high carrier thrusts without belt stretch.



## Applications:

- Adhesive dispensing
- Aligning
- Animation
- Assembly
- Automotive
- Camera positioning
- Conveyors
- Cutting
- Diverters
- Inspection
- Laser marking
- Material cutting
- Milling
- Packaging equipment
- Parts transfer
- Pick & place
- Positioning
- Product handling
- Slitting
- Sorting
- Spraying
- Stacking
- Table positioning
- Test stations
- Wire winding

### Available Options:

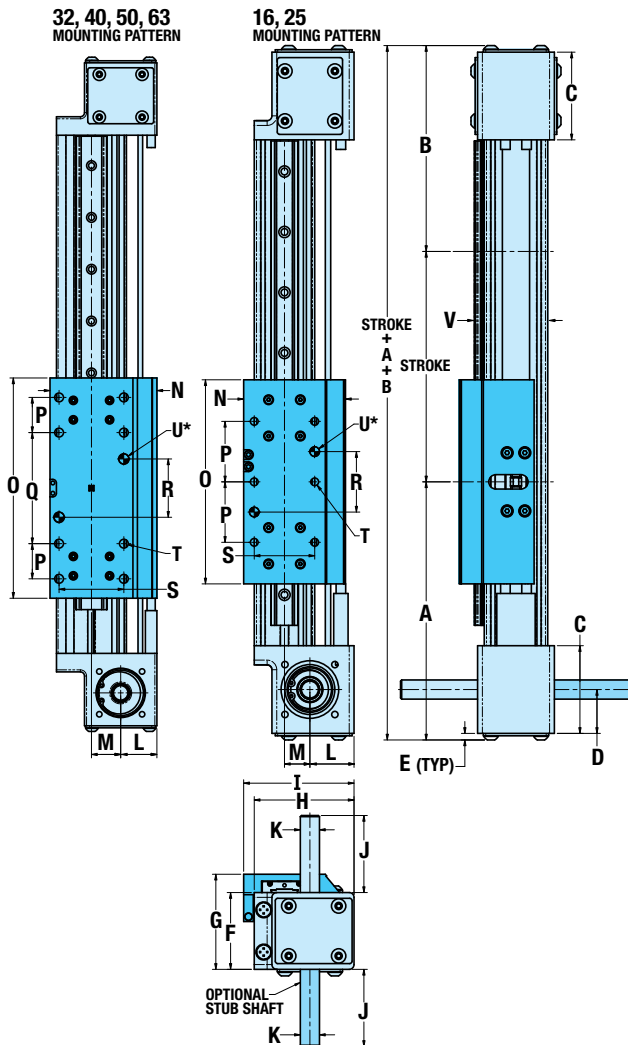
**Mounting**  
Mounting Plates,  
Tube Clamps,

**Sensors**  
With integrated  
mounting

# RODLESS BELT-DRIVE ACTUATOR W/ PROFILED RAIL

# MXB-P

## Dimensions



	MXB16	MXB25	MXB32	MXB40	MXB50	MXB63
A	135.3	173.9	187.8	216.6	224.7	275.1
B	119.0	139.3	154.7	192.7	205.0	262.1
C	50.8	58.0	55.9	78.7	82.6	96.1

Measurements in mm

## Specifications

MXB SIZE	MAX. THRUST	BELT DEAD LENGTH	MAXIMUM STROKE**
	N	mm	mm
16	169	363.0	5,842
25	672	475.5	10,516
32	930	556.0	10,490
40	1,112	633.7	10,465
50	1,446	692.2	10,414
63	1,859	917.2	5,512

Max. Velocity	3,810 mm/sec
Repeatability	± 0.051 mm

SIZE	MAX. BENDING MOMENTS			MAX. LOAD
	Mx	My	Mz	Fy & Fz
	N-m	N-m	N-m	N
16	4.5	38.3	38.3	966
25	14.3	56.7	42.6	1,996
32	25.6	152.0	152.0	2,531
40	68.2	216.0	216.0	3,274
50	91.7	394.0	394.0	4,510
63	115.0	603.0	603.0	5,745

Temp. Range	-12 to 54 °C
-------------	--------------

	MXB16	MXB25	MXB32	MXB40	MXB50	MXB63
D	25.4	29.0	25.4	39.4	40.0	45.3
E	3.8	4.4	4.4	4.4	4.4	4.4
F	44.5	50.8	69.9	82.6	98.4	111.1
G	53.2	62.9	84.6	98.7	129.6	145.6
H	52.8	66.0	77.5	93.8	110.6	139.3
I	54.8	73.0	82.5	103.9	117.9	147.1
J(LM)	15.0	57.7	57.7	47.5	47.5	47.5
J(RP)	46.6	57.7	57.7	47.5	47.5	47.5
K	Ø9.53	Ø12.70	Ø12.70	Ø12.70	Ø12.70	Ø12.70
L	26.4	29.2	27.9	39.7	41.5	52.2
M	11.4	16.8	22.6	22.2	29.8	37.1
N	45.3	67.4	82.5	97.8	117.4	150.6
O	110.0	135.0	170.0	200.0	216.0	304.8
P	40.0	40.0	27.1	25.4	25.4	40.0
Q	—	—	85.7	114.3	69.8	130.0
R	40.00	40.00	45.00	63.50	38.10	65.00
S	28.00	40.00	50.00	72.00	79.38	98.30
T	M4x0.7	M6x1.0	M8x1.25	M8x1.25	M8x1.25	M10x1.5
U	Ø4.045 /	Ø6.045 /	Ø8.045	Ø8.045	Ø8.045	Ø10.045
	4.020	6.020	/8.020	/8.020	/8.020	/10.020
	∇6.35	∇6.35	∇9.53	∇12.70	∇12.70	∇12.70
V	30.00	40.00	54.00	64.00	78.74	100.00



MADE IN U.S.A.

**Tolomatic**<sup>TM</sup>  
EXCELLENCE IN MOTION

COMPANY WITH  
QUALITY SYSTEM  
CERTIFIED BY DNV  
= ISO 9001 =  
Certified site: Hamel, MN

### USA - Headquarters

**Tolomatic Inc.**  
3800 County Road 116  
Hamel, MN 55340, USA  
**Phone:** (763) 478-8000  
Toll-Free: **1-800-328-2174**  
sales@tolomatic.com  
[www.tolomatic.com](http://www.tolomatic.com)

### MEXICO

**Centro de Servicio**  
Parque Tecnológico Innovación  
Int. 23, Lateral Estatal 431,  
Santiago de Querétaro,  
El Marqués, México, C.P. 76246  
**Phone:** +1 (763) 478-8000  
help@tolomatic.com

### EUROPE

**Tolomatic Europe GmbH**  
Elisabethenstr. 20  
65428 Rüsselsheim  
Germany  
**Phone:** +49 6142 17604-0  
help@tolomatic.eu  
[www.tolomatic.com/de-de](http://www.tolomatic.com/de-de)

### CHINA

**Tolomatic Automation Products (Suzhou) Co. Ltd.**  
No. 60 Chuangye Street, Building 2  
Huqiu District, SND Suzhou  
Jiangsu 215011 - P.R. China  
**Phone:** +86 (512) 6750-8506  
Tolomatic\_China@tolomatic.com

All brand and product names are trademarks or registered trademarks of their respective owners. Information in this document is believed accurate at time of printing. However, Tolomatic assumes no responsibility for its use or for any errors

that may appear in this document. Tolomatic reserves the right to change the design or operation of the equipment described herein and any associated motion products without notice. Information in this document is subject to change without notice.

Visit [www.tolomatic.com](http://www.tolomatic.com) for the most up-to-date technical information