

## SOLID BEARING RODLESS ELECTRIC ACTUATORS

# MXE-S

The MXE-S rodless electric screw-drive actuator is designed for applications requiring moderate load carrying and guidance. The MXE-S actuator utilizes two field replaceable solid bearings that optimize stress distribution for optimal performance.

### LIGHTWEIGHT ALUMINUM DESIGN

Clear anodized extrusion design is optimized for rigidity and strength

### TRAPEZOIDAL BEARINGS

Field replaceable bearings with trapezoidal design maximizes bearing surface area with less pressure on bearing surfaces for lower wear



### YOUR MOTOR HERE

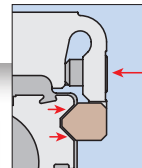
- Wide variety of standard motor mounts machined to your motor of choice. Includes mounting hardware and couplers
- Inline or reverse parallel (foldback) motor mounting options

### STAINLESS STEEL DUST BAND

Durable, flexible, fatigue and corrosion resistant stainless steel band is magnetically retained. The dust band keeps contaminants from entering the actuator interior, protecting components for reduced maintenance and increased uptime

### NON-BINDING BEARING ARMS

Bearings are tensioned indirectly, providing bind free adjustment



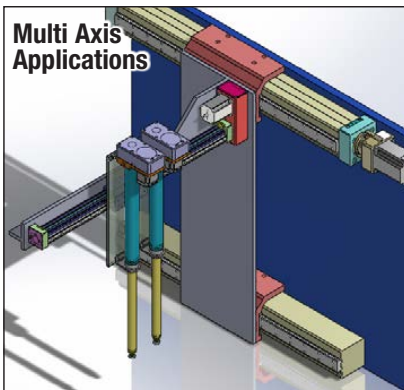
### MULTIPLE SCREW TECHNOLOGIES

#### YOU CAN CHOOSE:

- Solid nuts of bronze or engineered resins offer quiet performance at the lowest cost; anti-backlash available
- Ball screws offer positioning accuracy and repeatability with longer life; low-backlash available



### Multi Axis Applications



### Applications:

- Adhesive Dispensing
- Applying
- Camera Positioning
- Cutting
- High Speed Flying Cut Off
- Inspecting
- Material Cutting
- Parts Transfer
- Pick & Place
- Product Handling
- Slitting
- Spraying
- Stacking
- Storage, Retrieval
- Sorting
- X-Y Gantry, Multi Axis
- Test Functions
- Test Stations
- and many more

### Available Options:

#### Mounting

Mounting Plates; Tube Clamps

#### Carrier

Auxiliary Carrier, Floating Mount

#### Sensors

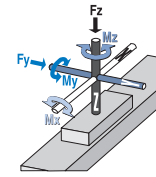
Reed, Solid State PNP or NPN, flush mount, drop in installation

# SOLID BEARING RODLESS ELECTRIC ACTUATORS

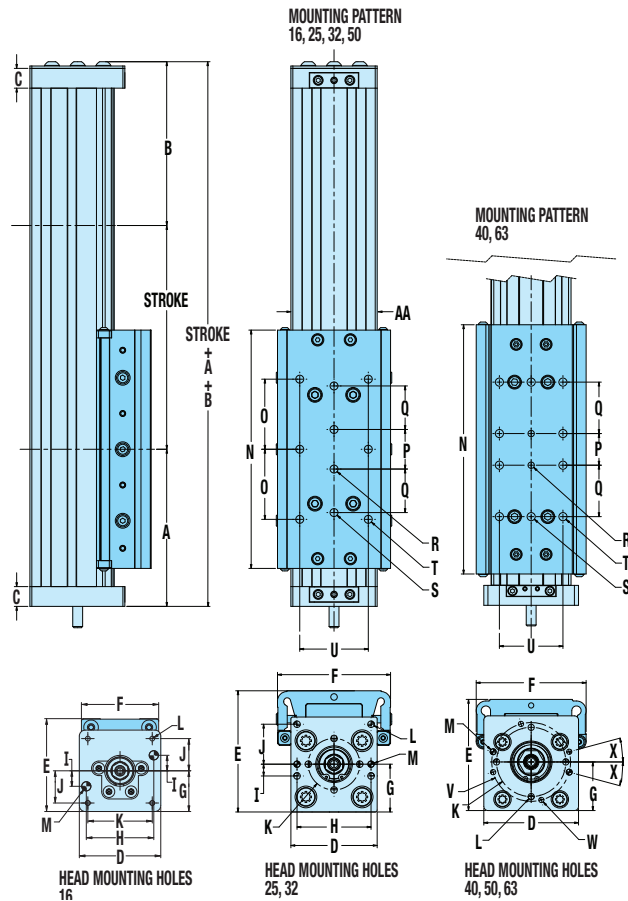
## STANDARD CARRIER

# MXE-S

| SIZE | MAXIMUM BENDING MOMENTS |        |                |        |                |        | MAX. LOAD      |     | MAX. THRUST |     |            |       |
|------|-------------------------|--------|----------------|--------|----------------|--------|----------------|-----|-------------|-----|------------|-------|
|      | M <sub>x</sub>          |        | M <sub>y</sub> |        | M <sub>z</sub> |        | F <sub>z</sub> |     | Solid Nut   |     | Ball Screw |       |
|      | N-m                     | in-lbs | N-m            | in-lbs | N-m            | in-lbs | N              | lb  | N           | lbf | N          | lbf   |
| 16   | 2.5                     | 22     | 2.1            | 19     | 2.8            | 25     | 156            | 35  | 200         | 45  | —          | —     |
| 25   | 6.8                     | 60     | 12.4           | 110    | 3.8            | 34     | 311            | 70  | 756         | 170 | 578        | 130   |
| 32   | 11.3                    | 100    | 39.5           | 350    | 15.8           | 140    | 667            | 150 | 756         | 170 | 578        | 130   |
| 40   | 31.1                    | 275    | 67.8           | 600    | 24.9           | 220    | 1,001          | 225 | 1,334       | 300 | 3,559      | 800   |
| 50   | 35.6                    | 315    | 131.0          | 1,155  | 38.5           | 341    | 1,401          | 315 | 1,335       | 300 | 12,010     | 2,700 |
| 63   | 66.1                    | 585    | 264.0          | 2,340  | 58.8           | 520    | 2,313          | 520 | 1,779       | 400 | 19,127     | 4,300 |



NOTE: Auxiliary Carrier option increases maximum bending moments and load, see [MXE brochure 8300-4000](#) for complete details.



## Dimensions

|    | MXE16      | MXE25      | MXE32       | MXE40       | MXE50       | MXE63       |
|----|------------|------------|-------------|-------------|-------------|-------------|
| A  | 69.1       | 96.3       | 100.9       | 125.2       | 141.7       | 211.3       |
| B  | 72.1       | 100.6      | 105.1       | 130         | 147.8       | 216.2       |
| C  | 12.7       | 23.4       | 12.7        | 16          | 33.3        | 47.8        |
| D  | 42.2       | 57.2       | 55.4        | 75.9        | 88.1        | 110.0       |
| E  | 48.0       | 58.4       | 77.8        | 89.2        | 112.8       | 139.7       |
| F  | 40.1       | 55.4       | 72.6        | 88.2        | 104.1       | 142.0       |
| G  | 21.1       | 24.1       | 30.7        | 39.1        | 46.2        | 58.4        |
| H  | 35.1       | 47.5       | 47.5        | -           | -           | -           |
| I  | 8.1        | 7.6        | 7.6         | -           | -           | -           |
| J  | 16.8       | 25.7       | 25.7        | -           | -           | -           |
| K  | 33.3       | Ø33.0      | Ø33.0       | Ø55.6       | Ø68.3       | Ø76.5       |
| L  | M3x0.5 (4) | M5x0.8 (8) | M5x0.8 (8)  | M6x1.0 (4)  | M6x1.0 (4)  | M6x1.0 (4)  |
| M  | Ø4.78 (2)  | Ø4.01(2)   | Ø4.01 (2)   | Ø4.80 (2)   | Ø4.78 (2)   | Ø4.78 (2)   |
| N  | 104.6      | 134.9      | 153         | 200         | 200.9       | 307.6       |
| O  | 30.0       | 39.9       | 45          | -           | 47.8        | -           |
| P  | -          | 25.4       | 25.4        | 25.4        | 63.5        | 76.2        |
| Q  | -          | 27.2       | 28          | 41.3        | 31.8        | 38.1        |
| R  | -          | M6x1.0 (2) | M8x1.25 (2) | M8x1.25 (2) | M10x1.5 (2) | M10x1.5 (2) |
| S  | -          | M6x1.0 (2) | M8x1.25 (2) | M8x1.25 (2) | M10x1.5 (2) | M10x1.5 (2) |
| T  | M4x0.7 (6) | M6x1.0 (6) | M8x1.25 (6) | M8x1.25 (8) | M10x1.5 (6) | M10x1.5 (8) |
| U  | 30.0       | 30.0       | 44.0        | 51.0        | 65.8        | 82.6        |
| V  | -          | -          | -           | Ø63.2       | Ø76.5       | Ø76.5       |
| W  | -          | -          | -           | M5x0.8 (4)  | M5x0.8 (4)  | M5x0.8 (4)  |
| X  | -          | -          | -           | 15°         | 15°         | 15°         |
| AA | 30.00      | 42.00      | 55.37       | 64.00       | 78.74       | 100.00      |

Dimensions in millimeters • See [MXE brochure 8300-4000](#) for complete dimension details



COMPANY WITH  
QUALITY SYSTEM  
CERTIFIED BY DNV GL  
= ISO 9001 =  
Certified site: Hamel, MN

### USA - Headquarters

**Tolomatic Inc.**  
3800 County Road 116  
Hamel, MN 55340, USA  
**Phone:** (763) 478-8000  
Toll-Free: **1-800-328-2174**  
sales@tolomatic.com  
[www.tolomatic.com](http://www.tolomatic.com)

### MEXICO

**Centro de Servicio**  
Parque Tecnológico Innovación  
Int. 23, Lateral Estatal 431,  
Santiago de Querétaro,  
El Marqués, México, C.P. 76246  
**Phone:** +1 (763) 478-8000  
help@tolomatic.com

### EUROPE

**Tolomatic Europe GmbH**  
Elisabethenstr. 20  
65428 Rüsselsheim  
Germany  
**Phone:** +49 6142 17604-0  
help@tolomatic.eu

### CHINA

**Tolomatic Automation Products  
(Suzhou) Co. Ltd.**  
No. 60 Chuangye Street, Building 2  
Huqiu District, SND Suzhou  
Jiangsu 215011 - P.R. China  
**Phone:** +86 (512) 6750-8506  
TolomaticChina@tolomatic.com

All brand and product names are trademarks or registered trademarks of their respective owners. Information in this document is believed accurate at time of printing. However, Tolomatic assumes no responsibility for its use or for any errors

that may appear in this document. Tolomatic reserves the right to change the design or operation of the equipment described herein and any associated motion products without notice. Information in this document is subject to change without notice.

Visit [www.tolomatic.com](http://www.tolomatic.com) for the most up-to-date technical information