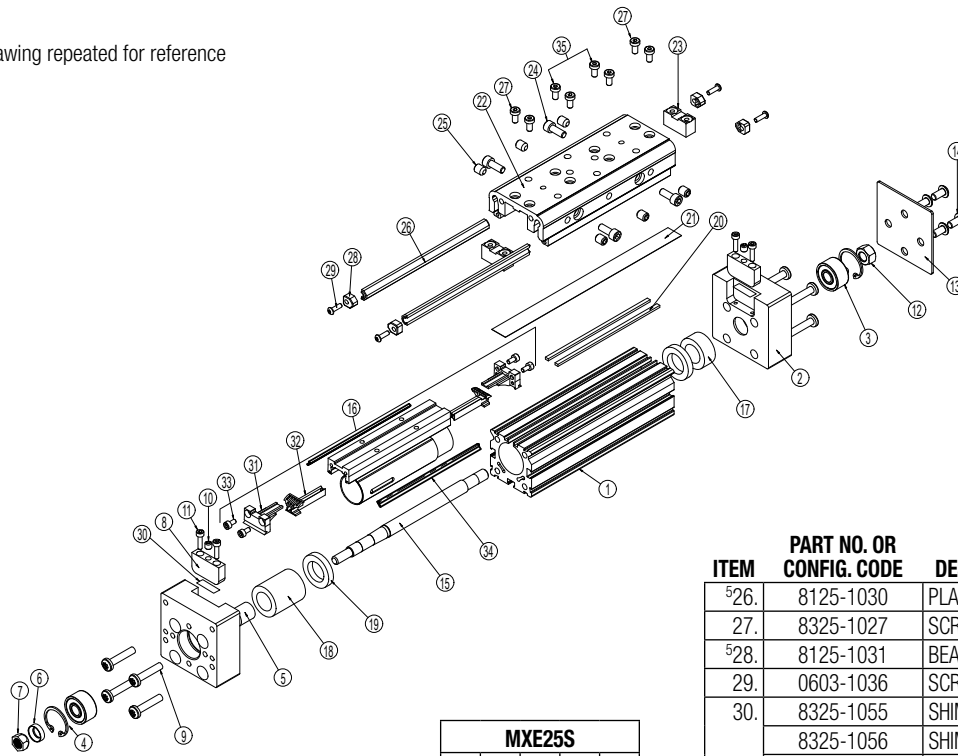


Drawing repeated for reference



ITEM	PART NO. OR CONFIG. CODE	DESCRIPTION	MXE25S				
			BN(L)08	BNM10	SN01	SN02	SN05
5,721.	NDBMXE25_SK_	DUST BAND (US CONV)	1	1	1	1	1
	NDBMXE25_SM_	DUST BAND (METRIC)	1	1	1	1	1
22.	8325-1013	CARRIER (METRIC)	1	1	1	1	1
	8325-1513	CARRIER (US CONV)	1	1	1	1	1
23.	8125-1025	CARRIER SPACER BLOCK	2	2	2	2	2
24.	8125-1071	TENSION SCREW (METRIC)	4	4	4	4	4
	6000-1463	TENSION SCREW (US CONV)	4	4	4	4	4
25.	8125-1079	LOCK SCREW (METRIC)	6	6	6	6	6
	8125-1579	LOCK SCREW (US CONV)	6	6	6	6	6

ITEM	PART NO. OR CONFIG. CODE	DESCRIPTION	MXE25S				
			BN(L)08	BNM10	SN01	SN02	SN05
26.	8125-1030	PLAIN BEARING	2	2	2	2	2
27.	8325-1027	SCREW	4	4	4	4	4
28.	8125-1031	BEARING END CAP	4	4	4	4	4
29.	0603-1036	SCREW	4	4	4	4	4
30.	8325-1055	SHIM, .005 THICK	2	2	2	2	2
	8325-1056	SHIM, .010 THICK	2	2	2	2	2
	8325-1057	SHIM, .020 THICK	2	2	2	2	2
31.	8125-1006	END CAP	2	2	2	2	2
32.	8325-1007	BAND RAMP	2	2	2	2	2
33.	0601-1038	SCREW	4	4	4	4	4
34.	8125-1059	WIPER	2	2	2	2	2
35.	8125-1075	SCREW	4	4	4	4	4

³ Replacement solid nut bracket assembly kit available. Contact help@tolomatic.com.

⁴ Parts included in Nut Bracket Assembly.

⁵ Parts included in Repair Kits. (RKMXE25S_SK_ or RKMXE25S_SM_, indicate stroke length in inches or millimeters)

Magnet Band

⁶ Replacement Magnet Band Kit ordering method: **NMBMXE25S SK [] [] [] [] DC7**

EXAMPLE: NMBMXE25S SK 21.25 DC7

⁷ Replacement Dust Band ordering method: **NDBMXE25S SK [] [] [] [] DC []**

EXAMPLE: NDBMXE25S SK 21.25 DC7

Dust band Model & Size Bearing Stroke Length Aux. Carrier

Auxiliary Carrier Option Note: If replacing a Tube (1.), Lead Screw (15.), Magnet Band Kit (20.) or Dust Band (21.) on an actuator that has an Auxiliary Carrier, be sure to add "DC ___" to the end of the configuration string when ordering. "DC" indicates the need for additional length and "___" indicates the measurement of space between carriers (in inches [SK] or millimeters [SM] as indicated earlier in the configuration string).

Assembly and Disassembly Instructions

GENERAL CYLINDER DISASSEMBLY INSTRUCTIONS

Begin with a clean work area. Be sure all replacement parts are present and have no visual damage or defects. The following tools are recommended for proper disassembly and assembly.

- SAE Hex Wrench Set
- Metric Hex Wrench Set
- Torx bit set
- Metric Socket Set
- SAE Socket Set

1. DUST BAND AND CARRIER REMOVAL. Remove the Band Clamps (8) from both Heads (2) of the actuator by removing Screws (11) and backing out the Center Set Screw (10) a couple turns. Carefully lift the Dust Band (21)

from the slot in each Head (2) and remove any Shims (30) located under the Band in the Head (2) slot. Retain the Shims (30) for reassembly. Remove the Carrier Spacer Blocks (23). Remove Screws (27 & 35) from the Carrier (22). Remove End Caps (31) from both ends of the Nut Bracket (16). The Dust Band (21) can now be removed from the actuator. Slightly loosen the Carrier Tension Screws (24) and Lock (Set) Screws (25). Remove Bearing End Caps (28) from the Bearings (26) and slide the Bearings (26) out. The Carrier (22) can now be removed.

Note: If the stroke of the actuator is too short to allow removal of the Carrier Bearings (26), it is necessary to remove the Non-Drive End Head (2) from the Tube (1).

2. **LEAD SCREW SUB-ASSY REMOVAL.** On the Non-Drive End of the actuator, remove Screws (14) to remove the Cover Plate (13), and Hex Nut (12) from the Leadscrew (15). Remove Screws (9) from both Heads (2). Remove the Non-Drive End Head (2) and the Drive Head/Leadscrew Assembly (15). The Nut Bracket Assembly (16) can now be removed from the Leadscrew (15) if necessary and the Band Ramps (32) may also be removed from the Nut Bracket Assembly (16) if required.

Ball Nut style: Caution is required if removal of the Nut is necessary. Contact the factory for available parts and procedures.

Plastic Nut style: Plastic Nuts are factory pinned into the Nut Bracket (16) and cannot be removed. If Nuts are worn, a new Nut Bracket Assy (16) must be ordered.

If the Drive End Head (2) and Bearing (3) must be removed from the Leadscrew (15), contact the factory prior to removal for specific instructions.

GENERAL CYLINDER ASSEMBLY INSTRUCTIONS

1. **SUB-ASSEMBLE CARRIER.** Slide the Bearings (26) into the slots on the Carrier (22) and install Bearing End Caps (28) loosely onto the Bearing (26) ends with Screws (29). Keep the Tension Screws (24) and Lock (Set) Screws (25) loose. If removed, install the Band Ramps (32) to the Nut Bracket (16).

2. **INSTALL LEAD SCREW ASSEMBLY.** Install the Drive Head/Leadscrew

Assembly (15) into the Tube (1). Ensure that the Bumper (19) and Nut Spacer (17) are in place and position the Non-Drive End Head (2) over the Leadscrew Bearing (3) and loosely install Screws (9) into the Head (2). Install the Drive End Screws (9) loosely into the Head (2).

3. **INSTALL DUST BAND.** Install the Dust Band (21) through the Nut Bracket (16) and install End Caps (31) onto the Nut Bracket (16). Position Carrier (22) sub-assembly onto the Tube (1).

4. **Tension the Carrier.** The MX solid bearing carrier will provide best performance when properly adjusted. The carrier design contains both Tension (24) and Lock Screws (25). The Tension Screws (24) control the amount of pressure placed on the Carrier Bearings (26). The Lock Screws (25) lock the Tension Screws (24) in place and provide fine adjustment of the Carrier Bearings (26).

- a. Fully loosen all Tension (24) and Lock Screws (25) about $\frac{1}{2}$ of a turn so that they are not engaged with the Bearing (26).
- b. Tighten Tension Screws (24) on both sides of the Carrier (22) roughly $\frac{1}{8}$ to $\frac{1}{4}$ turn clockwise past where the Screw (24) starts to feel snug. The Carrier (22) should be very difficult or impossible to move by hand. If not, turn another $\frac{1}{8}$ turn until it is difficult to move.

- c. Next, adjust the Lock Screws (25) on both sides of the Carrier (22) roughly $\frac{1}{8}$ to $\frac{1}{4}$ turn clockwise past where the Screw (25) starts to engage. The Carrier (22) will be loose but should not rock sideways. To correct this, loosen the Lock Screws (25) about $\frac{1}{16}$ of a turn. If the Carrier (22) becomes too snug, adjust the Lock Screws (25) another $\frac{1}{8}$ of a turn.

- d. Ideal carrier tension is achieved when the Carrier (22) feels snug in relation to the Tube (1), yet can be moved by hand. No rocking motion should be present. The Carrier (22) should also be loose enough to be moved by hand over the entire length of the actuator. If after this process the Carrier (22) has become too loose, equally adjust all of the Lock Screws (25) with a slight $\frac{1}{32}$ turn counter-clockwise. During the service life of the application this process may need to be repeated. Keeping the Carrier (22) in a properly adjusted tension will prolong the life of the MX bearing system and the actuator itself.

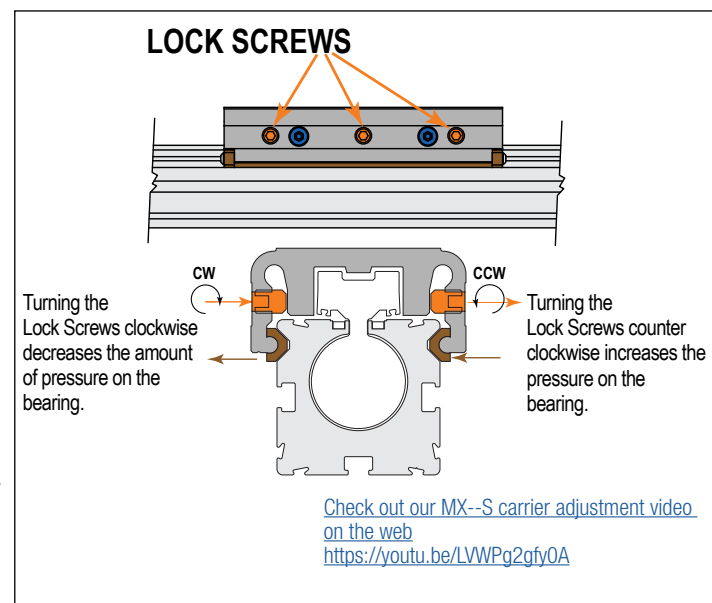
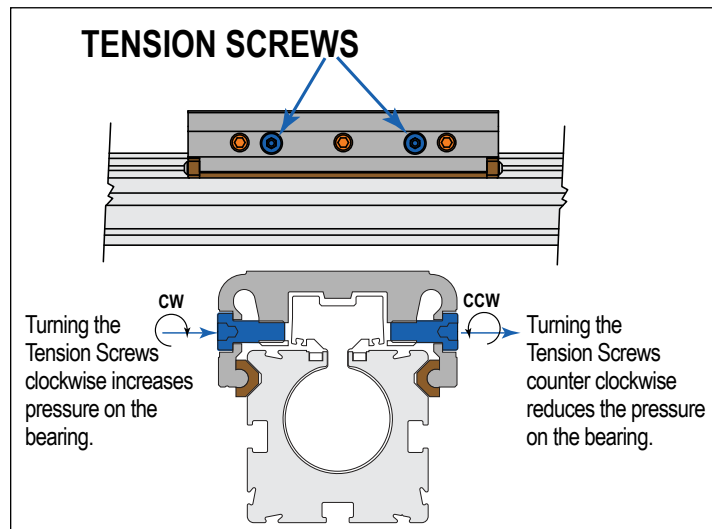
- e. When the proper carrier tension has been achieved, finish tightening the four Screws (29) to the Bearing End Caps (28).

- f. Position the Carrier (22) over the Nut Bracket (16) and install Screws (35). Install the Carrier Spacer Blocks (23) to the Carrier (22) with Screws (27).

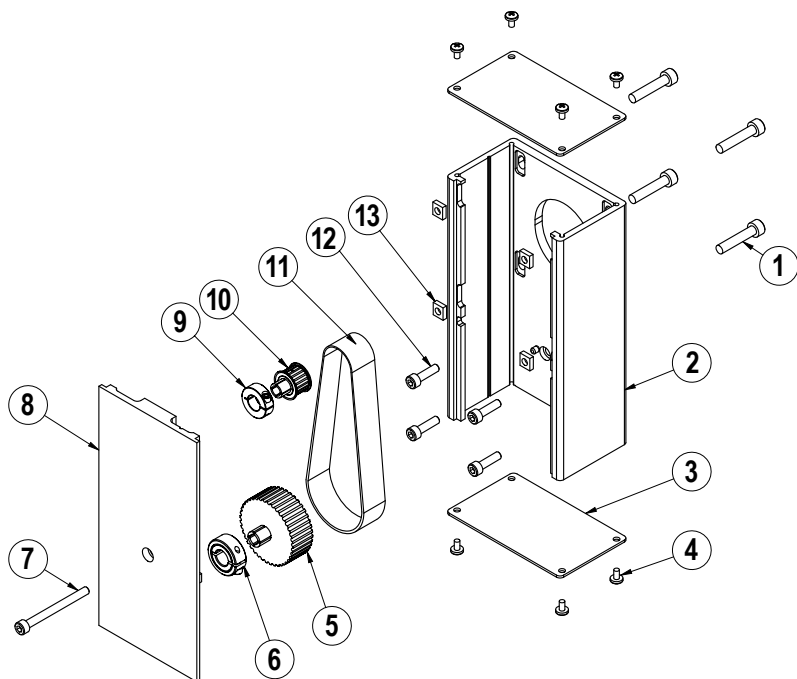
5. **PERFORM HEAD ALIGNMENT AND FINAL ASSEMBLY.** Note: Custom tooling is used at the factory to align the Heads (2) to the Tube (1) to maintain parallelism between the top of the Head (2) and top of the Tube (1). This is critical to performance and longevity of the Dust Band (21). In the following steps take care to visually align the Head (2) to the Tube (1).

Move the assembled Carrier (22) to the Drive End of Tube (1) and tighten one of the Head Bolts (9). Support the actuator so the Head (2) is free to float while tightening the Screws (9). Move the Carrier Assy (22) to Non-Drive End of Tube (1) and tighten the Head Bolts (9). Move Carrier Assy (22) back to the Drive End of Tube (1) and loosen the Screw (9) that was previously tightened and then tighten all Head Fasteners (9). Apply Loctite 242 to Hex Nut (12) and thread onto the Leadscrew (15) and torque to 6-8 in-lbs. Install Cover Plate (13) with Screws (14).

6. **INSTALL BAND CLAMPS.** The Dust Band (21), Tube (1) and clamping surface of the Head (2) must be flush with each other. To accommodate this, it may be necessary to re-install any Shims (30) that were present during disassembly into the clamp pocket on the Head (2). Position the Carrier (22) near the Drive End and position the Band (21) in the pocket over the installed Shims (30) and install the Band Clamp (8) with the two Screws (11). Tighten down the Center Set Screw (10). Position the Carrier (22) near the Non-Drive End and repeat the steps to install the other Band Clamp (8).



Reverse Parallel (RP) Mounting Option



ITEM	PART NO.	DESCRIPTION	QTY.
◊1.	CONFIGURED	MOTOR FASTENER	4
◊2.	CONFIGURED	RP HOUSING	1
◊3.	CONFIGURED	RP HOUSING END CAP	2
◊4.	CONFIGURED	END CAP SCREW	8
◊5.	CONFIGURED	DRIVE SHAFT PULLEY	1
◊6.	CONFIGURED	COLLAR CLAMP, DRIVE SHAFT	1
◊7.	CONFIGURED	RP COVER FASTENER	1
◊8.	CONFIGURED	RP COVER	1
◊9.	CONFIGURED	COLLAR CLAMP, MOTOR	1
◊10.	CONFIGURED	MOTOR PULLEY	1
◊11.	CONFIGURED	BELT	1
◊12.	CONFIGURED	RP PLATE FASTENER	4
◊13.	CONFIGURED	SQUARE NUT	4

◊ Part numbers varies depending on YMH (Your Motor Here). Contact help@tolomatic.com for replacement part numbers.

Disassembly Instructions

1. Remove End Caps (3), and release the tension on the Belt (11) by breaking loose the motor fasteners (1).
2. Remove the RP Cover (8).
3. The Belt (11) can now be removed along with the Motor.
4. Remove both Pulleys (10) and (5) from their respective shafts.
5. Remove the RP Housing (2) from the actuator head by removing the Fasteners (12).

Assembly Instructions

Note: Apply Loctite #242 to all fasteners upon installation

1. Install RP Housing (2) onto the actuator Head with Fasteners (12).
2. Install the Motor to the RP Housing with Fasteners (1) and Square Nuts (13). Do not tighten the fasteners at this time.
3. Locate the Belt (11) over the Pulleys (10) and (5) and slide both pulleys over their respective shafts. Tighten each pulley to its shaft with the Collar Clamps (9) and (6).
4. Position the Cover (8) in the mating slot of the RP case and install the Fasteners (7) to hold it in place. Take care not to overtighten. If the cover is deflected, it can interfere with the leadscrew.

5. Tension the Belt (11) by pulling the motor away from the drive shaft with the appropriate tension force shown in the chart below. While tensioning, the actuator should be positioned so the weight of the motor does not affect the belt tension. Tighten the Motor Fasteners (1) while the tensioning force is applied to the motor.

SMALLEST SHAFT DIAMETER (Motor or Actuator)		TOTAL WEIGHT TO APPLY	
Inches	mm	lbs	kgs
0.18 to 0.259	4.572 to 6.579	13	5.902
0.260 to 0.499	6.604 to 12.675	22	9.988
0.500 to 0.625	12.7 to 15.875	31	14.074
0.625 and larger	15.875 and larger	40	18.160

Additional tips are found in Tolomatic [Electric Actuator Motor Mounts Technical Note # 3600-4203](#).

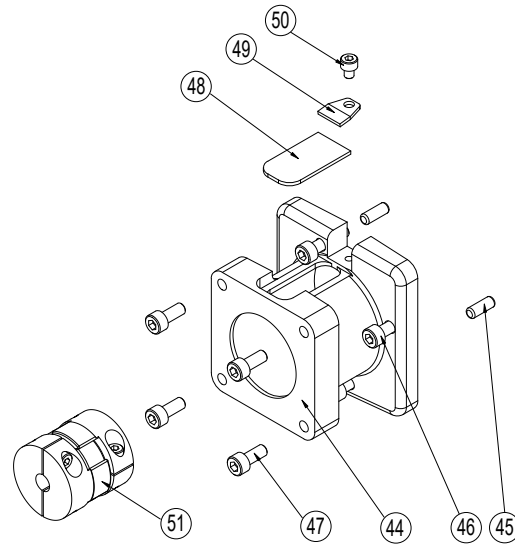
6. Verify that there is clearance between the inside of the RP case and each pulley. Verify the pulleys are aligned to each other.
7. Install both End Caps (3) with the Screws (4) to finalize the assembly.

In-Line (LMI) Mounting Options

ITEM	PART NO.	DESCRIPTION	QTY
◊44.	CONFIGURED	MOTOR SPACER	1
◊45.	CONFIGURED	DOWEL PIN	2
◊46.	CONFIGURED	SCREW	4
◊47.	CONFIGURED	SCREW	4
◊48.	CONFIGURED	COVER	1
◊49.	CONFIGURED	CLAMP	1
◊50.	CONFIGURED	SCREW	1
◊51.	CONFIGURED	COUPLER	1

◊ Part number varies depending on YMH (Your Motor Here).
 Contact help@tolomatic.com for replacement part number.

A replacement Motor Mount Kit contains all parts listed above.

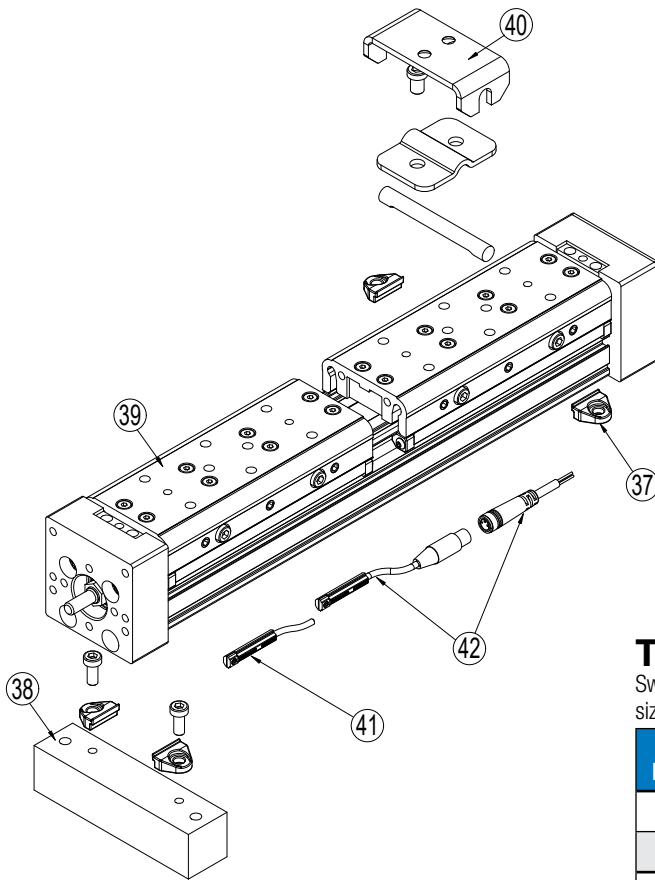


Replacement Motor Mount Kits ordering method: **MMK MXE25S** **LMI YM**

EXAMPLE: MMK MXE25S SN02 LMI YM 011001

Motor Mount Kit — Model & Size — Bearing Style — Lead Screw — Motor Orientation — Motor Code

Actuator Options



ITEM	PART NO.	DESCRIPTION
¹ 37.	8125-9018	TUBE CLAMP MOUNT KIT
	8125-1050	TUBE CLAMP
² 38.	8325-9016	MOUNTING PLATE KIT FOR 23-FRAME MOTOR
	8325-9017	MOUNTING PLATE KIT FOR 34-FRAME MOTOR
	8125-1050	TUBE CLAMP
	8125-1071	SCREW (METRIC)
	8325-1030	MOUNTING PLATE FOR 23-FRAME MOTOR
	8325-1031	MOUNTING PLATE FOR 34-FRAME MOTOR
39.	8325-9015	AUXILIARY CARRIER ASSY (METRIC)
	8325-9515	AUXILIARY CARRIER ASSY (US CONV)
³ 40.	8125-9036	FLOATING MOUNT KIT (METRIC)
	8125-9536	FLOATING MOUNT KIT (US CONV)
	8125-1069	FLOATING MOUNT PIN
	8125-1061	FLOATING MOUNT BRACKET CLAMP (METRIC)
	8125-1068	FLOATING MOUNT BRACKET
	8132-1071	SCREW (METRIC)
	8325-1060	SCREW (US CONV)

¹ Tube Clamp Mount Kit Clip Kit contains 2 tube clamps.

² Mounting Plate Kit contains 2 tube clamps, 1 mounting plate and 2 fasteners.

³ Floating Mount Kit contains 1 pin, 1 bracket clamp, 1 bracket, and 2 fasteners.

To order service parts switches:

Switches for MXE include retained mounting hardware and are the same for all actuator sizes and bearing styles

ITEM	CONFIG. CODE	LEAD	NOR-MALLY	SENSOR TYPE
41.	SWMXE25S R Y	5M (197 IN)	OPEN	REED
42.	SWMXE25S R K	QUICK-DISCONNECT		
41.	SWMXE25S N Y	5M (197 IN)	CLOSED	REED
42.	SWMXE25S N K	QUICK-DISCONNECT		
41.	SWMXE25S T Y	5M (197 IN)	OPEN	SOLID STATE PNP
42.	SWMXE25S T K	QUICK-DISCONNECT		
41.	SWMXE25S K Y	5M (197 IN)	OPEN	SOLID STATE NPN
42.	SWMXE25S K K	QUICK-DISCONNECT		
41.	SWMXE25S P Y	5M (197 IN)	CLOSED	SOLID STATE PNP
42.	SWMXE25S P K	QUICK-DISCONNECT		
41.	SWMXE25S H Y	5M (197 IN)	CLOSED	SOLID STATE NPN
42.	SWMXE25S H K	QUICK-DISCONNECT		

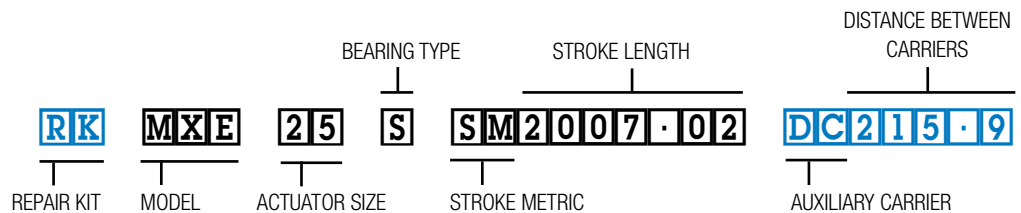
MATING QD CABLE IS INCLUDED.

Ordering Repair Kits

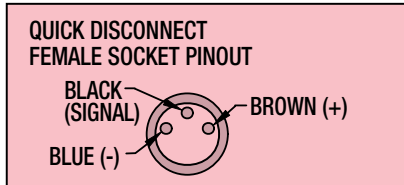
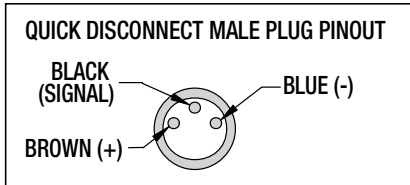
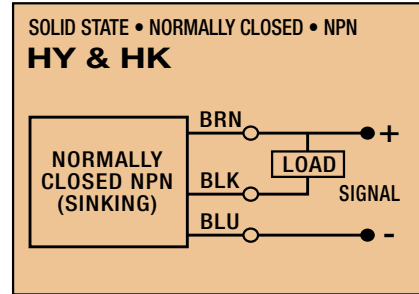
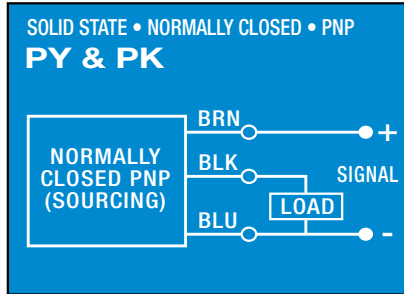
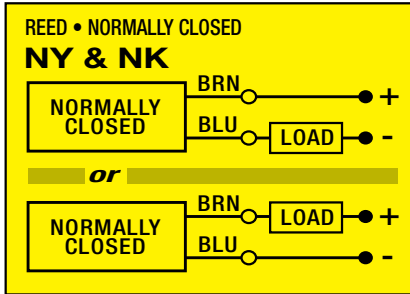
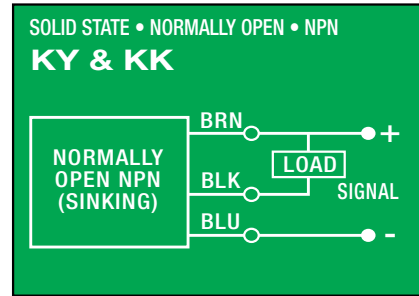
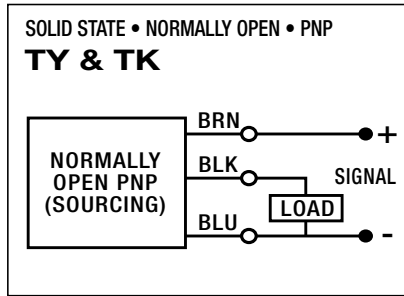
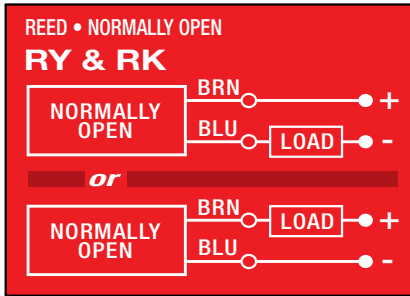
Repair kit includes: dust band, end caps, wipers, solid bearings, bearing end caps

The part number for a repair kit begins with RK followed by model, actuator size, bearing type, and stroke length (**S****K** = inch/US Standard, **S****M** = metric)

(NOTE: If unit has an auxiliary carrier also include DC and distance between carrier centers)



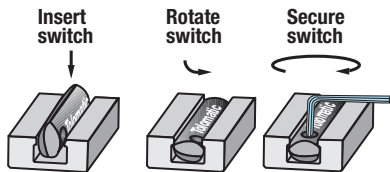
SWITCH WIRING DIAGRAMS AND LABEL COLOR CODING (CE and RoHS Compliant)



Switches for MX:

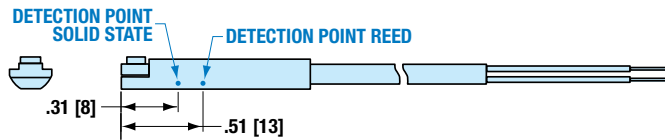
- Include retained mounting hardware
- In slot, sit below extrusion profile
- Same for all sizes and bearing styles

Switch installation and replacement



Place switch in side groove on tube at desired location with "Tolomatic" facing outward. While applying light pressure to the switch, rotate it such that the switch is halfway in the groove. Maintaining light pressure, rotate the switch in the opposite direction until the switch is fully inside the groove with "Tolomatic" visible. Re-position the switch to the exact location and lock the switch securely into place by tightening the screw on the switch.

Switch Detection point



Dimensions in inches [brackets indicate dimensions in millimeters]



3800 County Road 116, Hamel, MN 55340 USA
 http://www.Tolomatic.com • Email: Help@Tolomatic.com
 Phone: (763) 478-8000 • Fax: (763) 478-8080 • Toll Free: 1-800-328-2174

COMPANY WITH
 QUALITY SYSTEM
 CERTIFIED BY DNV
 = ISO 9001 =

All brand and product names are trademarks or registered trademarks of their respective owners. Information in this document is believed accurate at time of printing. However, Tolomatic assumes no responsibility for its use or for any errors that may appear in this document. Tolomatic reserves the right to change the design or operation of the equipment described herein and any associated motion products without notice. Information in this document is subject to change without notice.