

Conversion from BC425 to MXP63N

Bore Size:

The bore size of the BC425 is 2.5" [63 mm].
The bore size of the MXP63N is 2.5" [63 mm].

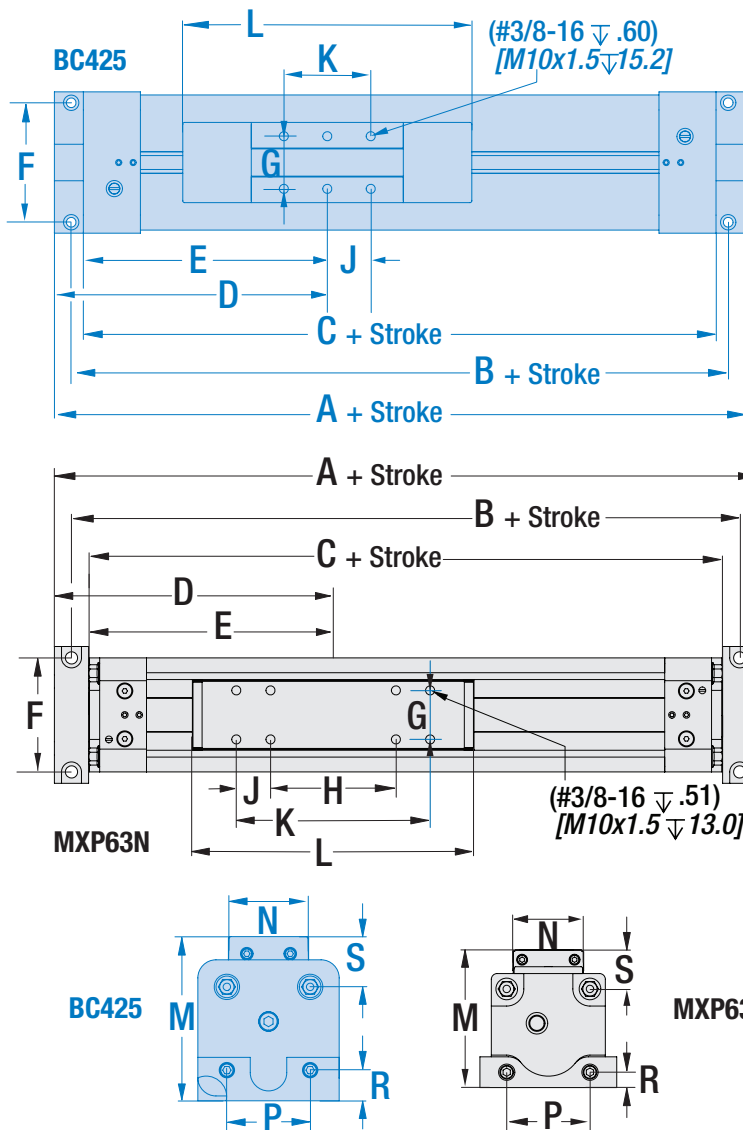
Envelope Size:

With foot mounts, the overall length, height and width of the BC425 is slightly larger than the MXP63N of equal stroke length.

Dead Length:

Dead length is the part of the band cylinder required for mounting and mechanisms. The overall length of a band cylinder is the stroke length plus the dead length ("C" dimension in the table).

The BC425 dead length is 16.846" [427.89 mm] compared to the MXP63N at 16.892" [429.06 mm].



Dimensions in inches

Dimensions in millimeters

	BC425	MXP63N
A	18.846	19.254
B	17.686	18.073
C	16.846	16.892
D	9.423	9.627
E	8.423	8.446
F	4.125	3.937
G	1.817	1.693
H	-	4.33
J	1.500	3.347
K	3.00	6.693
L	9.980	9.685
M	5.669	4.756
N	2.770	2.441
P	2.875	2.875
R	0.891	0.531
S	1.735	1.350

	BC425	MXP63N
A	478.69	489.06
B	449.23	459.06
C	427.89	429.06
D	239.34	244.53
E	213.94	214.53
F	104.78	100.00
G	46.15	43.00
H	-	110.00
J	38.10	85.00
K	76.20	170.00
L	253.49	246.00
M	143.99	120.81
N	70.36	62.00
P	73.03	73.03
R	22.63	13.49
S	44.07	34.30

MOUNTING

MOUNTING VIA HEAD BOLTS:

Bolt pattern "P" on the BC425 is 2.875" [73.02mm] square.
Bolt pattern "P" on the MXP63N is 2.875" [73.02mm] square.

CARRIER RELATION TO HEAD BOLT MOUNTING:

- Distance from the top of the carrier to the center of the top mounting bolts "S" is decreased by 0.385" [9.78mm].

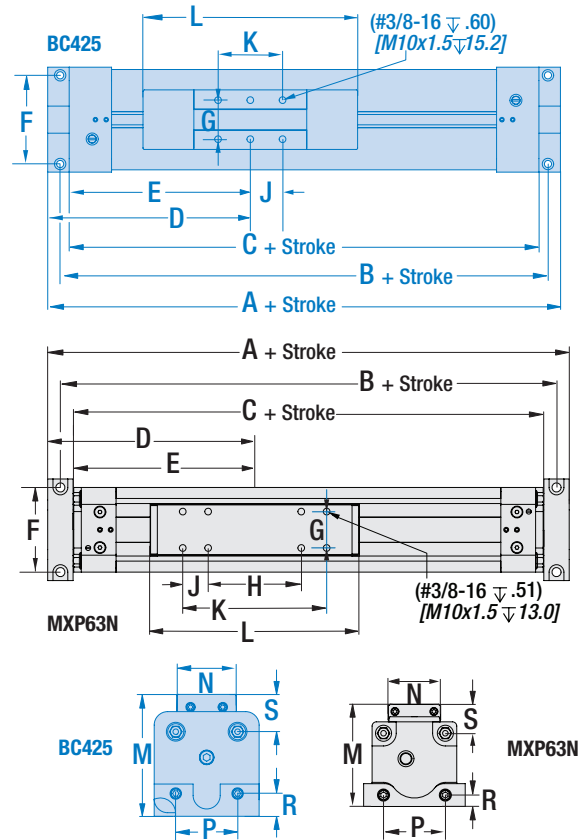
MOUNTING VIA FOOT MOUNTS:

- When mounting the BC425 with foot mounts the distance between the mounting brackets "B" is increased by 0.387" [9.83mm] when using the MXP63N.
- Height of the carrier relative to the bottom of the foot mounts "M" is reduced by 0.913" [23.19mm].

CARRIER:

- Carrier bolt pattern "G" & "K" of the BC425 is not replicated on the MXP63N.
- Carrier length "L" decreases by 0.295" [7.49mm].
- Distance from the center of the carrier to the back edge of the head "E" increased by 0.023" [0.584mm].
- Additional mounting holes "K" are available on the MXP63N.

Drawing repeated for reference



ORDERING

SAMPLE CROSSOVER CONFIGURATION:

DISCONTINUED

BC425 NP SK5.000 FM2

Config. String: BC425 NP SK5.000 FM2

Bore Size: 2.5" [63 mm]

Unit of measure: SK (inches)

Stroke length 5.000 in

FM: Foot mount for actuator mounting,
Quantity: 2

NEW

MXP63N NP SK5.000 FM2

Config. String: MXP63N NP SK5.000 FM2

Bore Size: 2.5" [63 mm]

Unit of measure: SK (inches)

Stroke length 5.000 in

FM: Foot mount for actuator mounting,
Quantity: 2

Tolomatic[™]
EXCELLENCE IN MOTION

3800 County Road 116, Hamel, MN 55340 USA
http://www.Tolomatic.com • Email: Help@Tolomatic.com
Phone: (763) 478-8000 • Fax: (763) 478-8080 • Toll Free: 1-800-328-2174

COMPANY WITH
QUALITY SYSTEM
CERTIFIED BY DNV GL
= ISO 9001 =

All brand and product names are trademarks or registered trademarks of their respective owners. Information in this document is believed accurate at time of printing. However, Tolomatic assumes no responsibility for its use or for any errors that may appear in this document. Tolomatic reserves the right to change the design or operation of the equipment described herein and any associated motion products without notice. Information in this document is subject to change without notice.