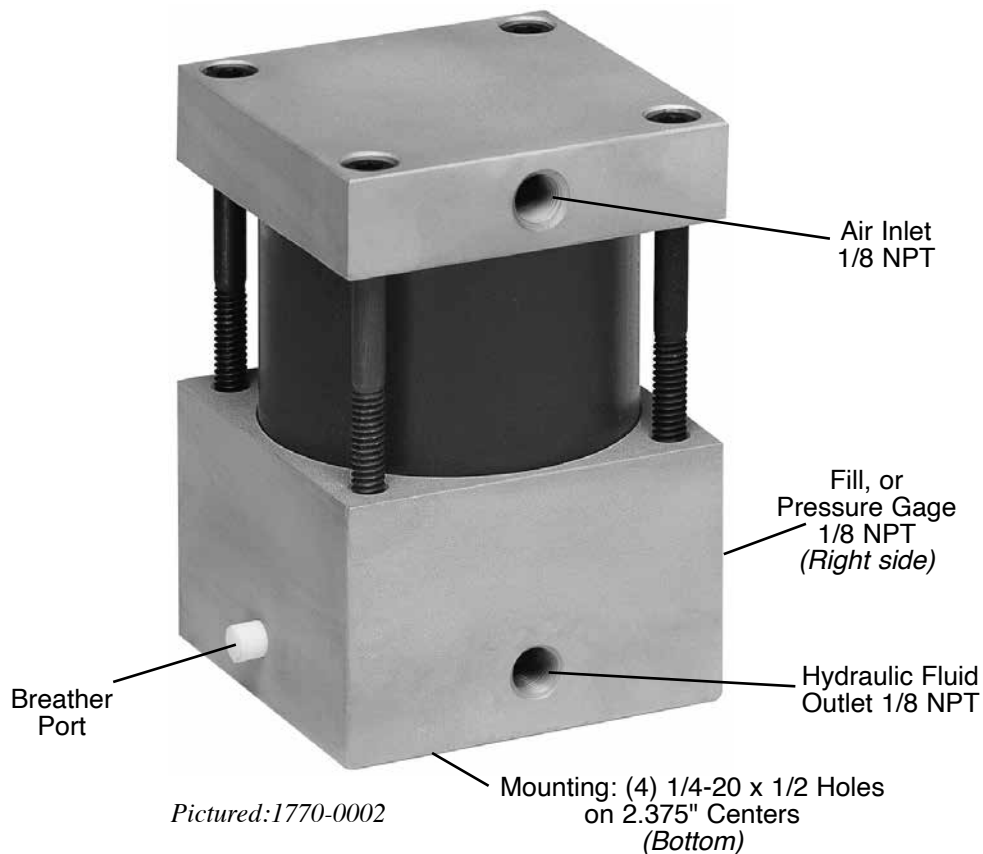


Intensifier

For Use With Non-Retractable Tolomatic Calipers
Up to 220 Series



Ideal for Operating Caliper Disc Brakes

The higher output pressure makes it possible to obtain the brake's high torque handling capabilities without high pressure hydraulic systems. By operating at these higher pressures, the number of calipers can be reduced.

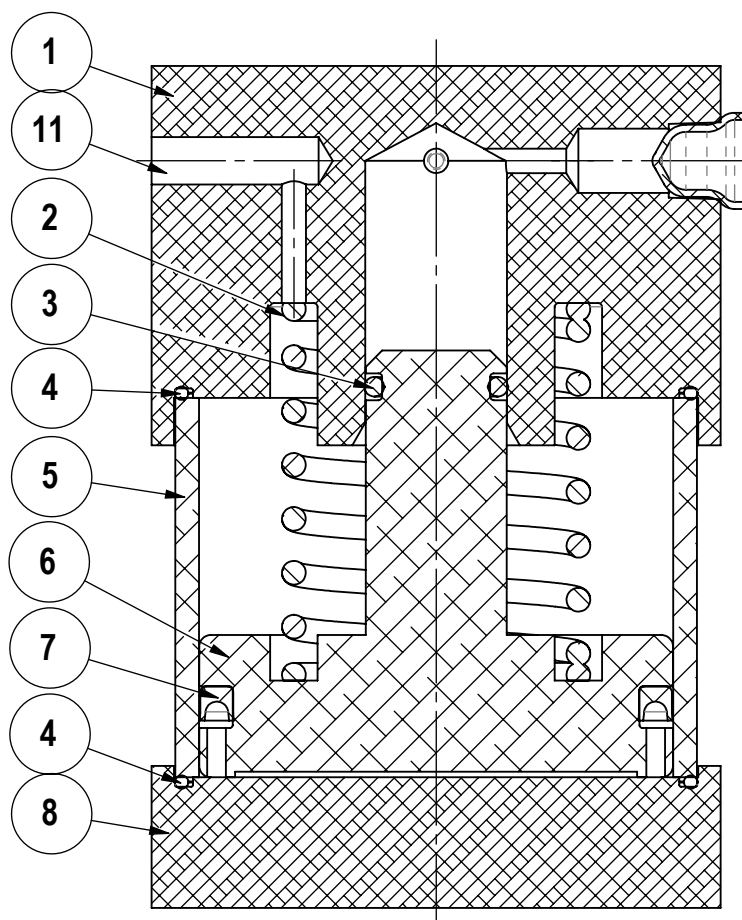
The intensifier is small, simple and inexpensive, yet operates at a 10:1 ratio of output pressure (hydraulic fluid) to input pressure (air). The displacement is 0.44 cubic inches.

The low pressure cylinder is made from hard-coated aluminum tubing for high strength and exceptionally low friction characteristics.

The low pressure piston seal is of conventional U-cup design for reliable operation.

The high pressure cylinder is made of aluminum. The high pressure piston uses an O-Ring of various compounds to be compatible with most fluids, to reduce friction and increase life to millions of cycles.

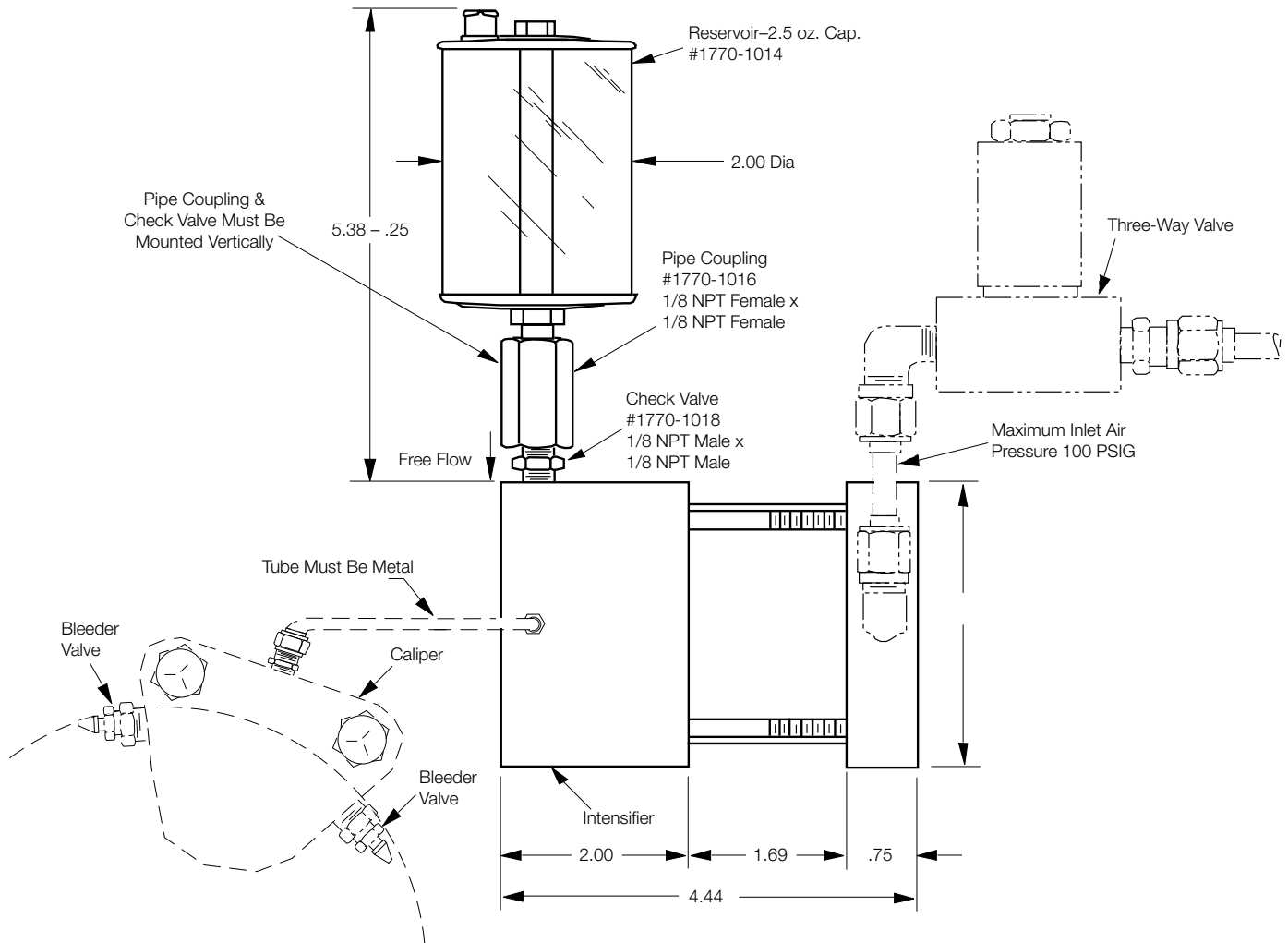
When air pressure is reduced or removed, a spring return in the booster allows the piston to retract and draw in oil from the reservoir. The spring chamber is vented to eliminate back pressure and return air is filtered to eliminate entrapment of dirt or other foreign particles. A threaded port is provided for filling or connecting a pressure gauge. Bleeding and filling are external.



ITEM	PART NO. or CONFIG CODE	DESCRIPTION	1770-000 Qty	1770-001 Qty.	1770-005 Qty. 1
1	1770-1003	Head, Square	1	1	1
2	1770-1006	Spring, CMP, D1.5, L3.62, R17	1	1	1
3	1051-1022	O-Ring, Buna-N, -113	1	0	0
	1770-1010	O-Ring, EPR, -113	0	1	0
	1770-1007	O-Ring, Viton, -113	0	0	1
4	1770-1008	O-Ring, Buna-N, -038	2	2	2
5	1770-1001	Tubing, AL, 2.50 x 2.75, 0.44 CID	1	1	1
6	1770-1011	Piston, Intensifier, 1 Piece	1	1	1
7	1770-1017	U-Cup, Buna-N, 2.125 x 0.188	1	1	1
8	1770-1002	Cap, Square	1	1	1
9	1001-1066	Plug, Vinyl, 1/8 NPT	3	3	3
10	1770-1009	SHCS, 1/4-20 x 2.50, BLK	4	4	4
11	1768-1010	Filter	1	1	1

NOTE: Intensifier Kit Includes Reservoir, Check Valve, Pipe Coupler and Intensifier

KIT NO.	INTENSIFIER NO.
1770-0002	1770-0000 (Buna-N Seals)
1770-0003	1770-0001 (EPR Seals)
1770-0004	1770-0005 (Seals of Viton® material)



NOTE: Intensifier cannot be used with spring applied or retractable type calipers.

Do not use on calipers larger than 220 Series.

Mount intensifier above caliper. Open the bleed valve that is at the highest point on the caliper. Fill the vented reservoir with oil. When solid stream of oil runs out of bleed valve, close the valve. Continue to fill reservoir until one-half to two-thirds full. Operate intensifier two or three times. Open bleed valve on caliper. Let oil escape until there is no air present. Close bleed valve, observe oil level in reservoir. Refill if necessary.

Viton® is a registered trademark of the E.I. Du Pont de Newmours Co., www.dupont.com

Tolomatic[™]
EXCELLENCE IN MOTION

3800 County Road 116, Hamel, MN 55340 USA
<https://www.tolomatic.com> • Email: Help@Tolomatic.com
Phone: (763) 478-8000 • Fax: (763) 478-8080 • Toll Free: 1-800-328-2174

COMPANY WITH
QUALITY SYSTEM
CERTIFIED BY DNV GL
= ISO 9001 =

All brand and product names are trademarks or registered trademarks of their respective owners. Information in this document is believed accurate at time of printing. However, Tolomatic assumes no responsibility for its use or for any errors that may appear in this document. Tolomatic reserves the right to change the design or operation of the equipment described herein and any associated motion products without notice. Information in this document is subject to change without notice.