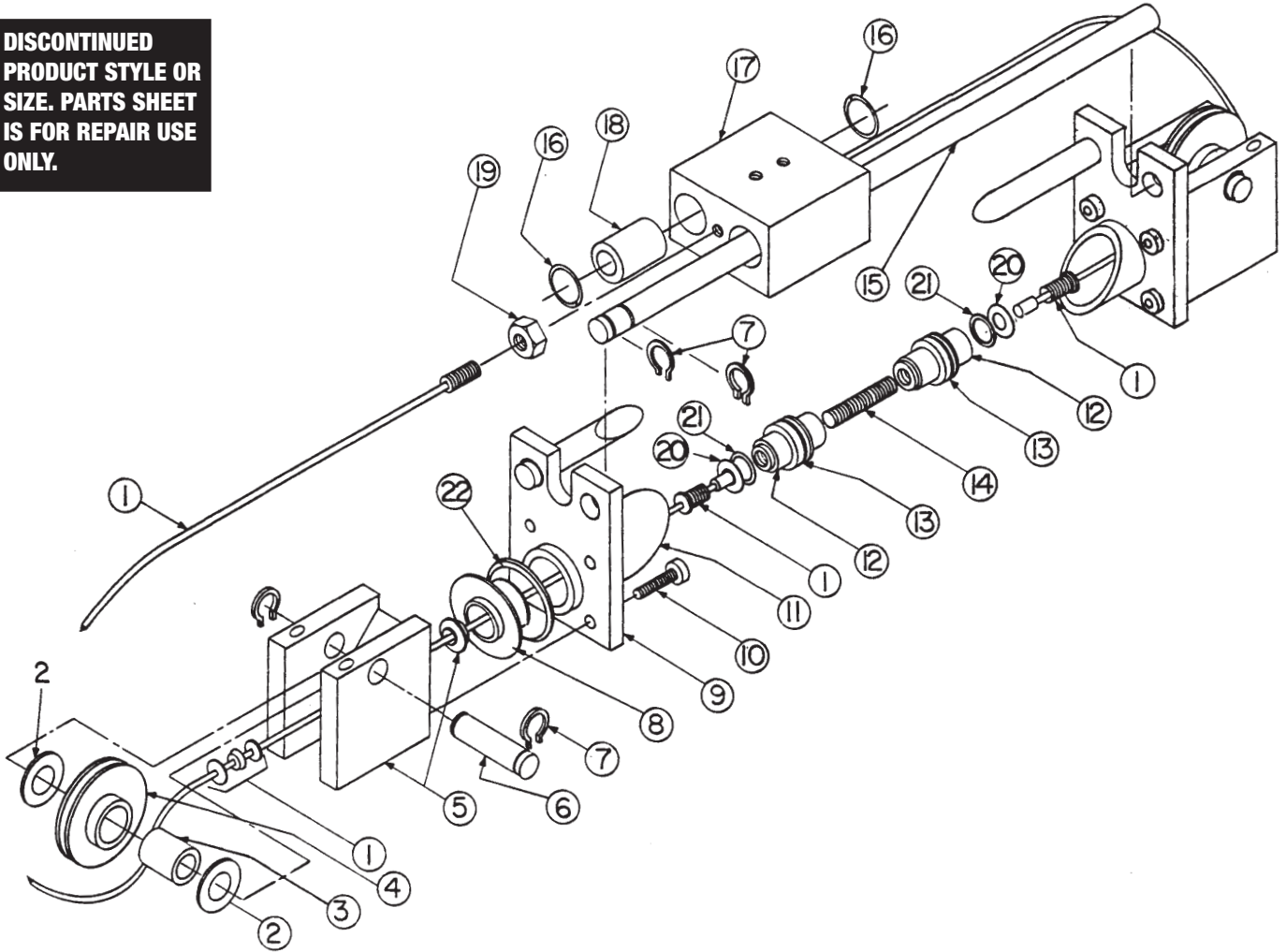


### Track Cable Cylinder (with Stainless Steel Guide Shafts)

TC07SS 3/4" Bore

MODEL: TC07SS

**DISCONTINUED  
PRODUCT STYLE OR  
SIZE. PARTS SHEET  
IS FOR REPAIR USE  
ONLY.**



### Parts Listing

ITEM	PART NO.	DESCRIPTION	Quantity
1.	1075-9013	Pneumatic Repair Kit, 3/64 cable, specify stroke	1
1a.	1001-9099	Pneumatic Cable Assembly, 3/64 cable, specify stroke	2
2.	0100-1306	Thrust Race	4
3.	1001-1205	Rulon Bearing	2
4.	1050-1051	Pulley	2
5.	1001-9104	Head Assembly (includes gland insert) single port	2
6.	1001-1092	Stainless Steel Pulley Shaft	2
7.	1001-1056	External Retaining Ring	8
*8.	1001-1276	Cushion Spear	2
9.	1076-1000	Clamp Plate	2
10.	1085-1075	Socket Head Cap Screw	8
11.	1076-1001	Machined Aluminum Tube, specify stroke	1

ITEM	PART NO.	DESCRIPTION	Quantity
12.	1075-1017	Piston	2
*13.	1075-1016	Piston U-Cup	2
14.	1001-1194	Piston Spacer	1
15.	1076-1002	Guide Shaft, Stainless Steel, specify stroke	2
16.	1001-1199	Internal Retaining Ring	4
17.	1001-1233	Bearing Block	1
18.	1001-1236	Linear Rulon Bearing	2
19.	1004-1188	Jam Nut	2
*20.	1001-1013	Piston Washer	2
*21.	1001-1021	O-Ring	2
22.	1075-1015	External Retaining Ring	2

\*Available only as part of Repair Kit 1075-9013.