

Hydraulic Brake 210 Series

H210

MODEL: H210

EPR Seals

0786-0300

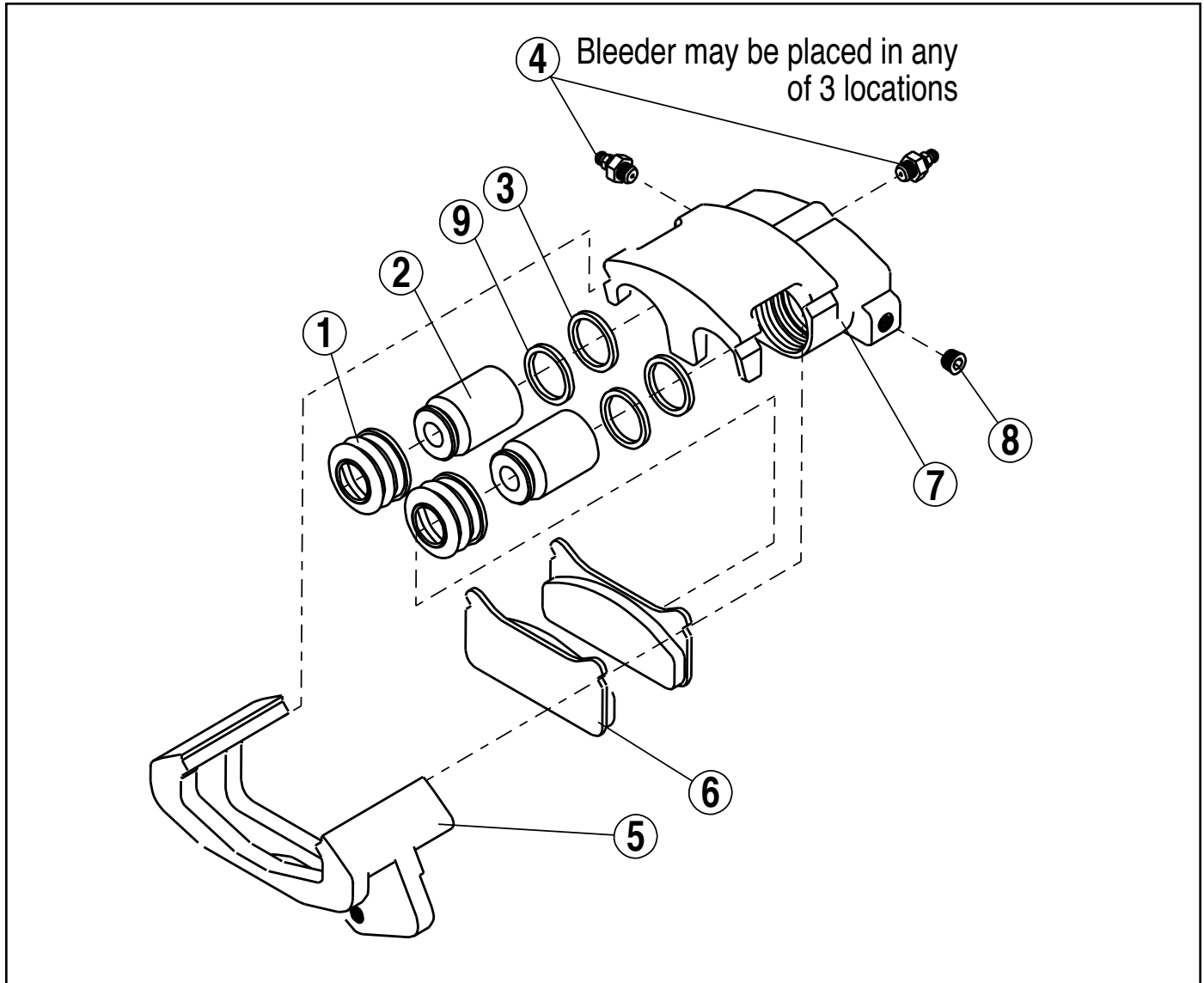
0786-0301

0786-0304

Buna-N Seals

0786-0308

0786-0309



List of Parts

ITEM	PART NO.	DESCRIPTION	0786-0300	0786-0301	0786-0304	0786-0308	0786-0309
1.	0786-1010	Piston Boot Seal	2	2	2	2	2
2.	0786-1022	Piston	2	2	2	2	2
3.	0786-1043	O-Ring, EPR	2	2	2		
	0786-1045	O-Ring, Buna-N				2	2
4.	0740-1002	Bleeder Screw	1	1	1	1	1
5.	0786-1003	Brake Bracket, Machined	1	1	1	1	1

ITEM	PART NO.	DESCRIPTION	0786-0300	0786-0301	0786-0304	0786-0308	0786-0309
6.	0786-1006	Pad Assembly	2	2	2	2	2
7.	0786-1019	Housing, H210, Machined	1	1	1	1	1
8.	1014-1065	Plug 1/8-27 NPTF	1	1	1	1	1
9.	0786-1044	B-Ring, EPR	2	2	2		
	0786-1046	B-Ring, Buna-N				2	2

INSTALLATION INSTRUCTIONS:

1. When installing this hydraulic caliper disc brake, it is of utmost importance that it be centered evenly and squarely over the disc. This will ensure even Pad to disc contact. Proper Pad to disc clearance (for new Pads) should be 0.010 inch to 0.031 inch per side (.25mm to .79mm).
2. To prevent excessive wear, be certain disc does not contact Housing (#7) or Brake Bracket (#5).
3. NOTE: Disc and Pads must be kept free of oil, dirt, grease, etc.
4. Mount Brake Assembly using two (2) SAE Grade 8 or better hex head mounting bolts. Tighten to approximately 480 in.-lbs. (54.2 N-m).
5. Connect fluid line to external fluid port. Bleed brake to remove any trapped air.
6. Maximum allowable pressure is 2000 psi (137.9 bar).

MAINTENANCE INSTRUCTIONS:**Pad Replacement**

1. Disconnect fluid lines.
2. Unbolt mounting bolts and remove Brake Assembly from disc.
3. Slide Housing (#7) out of Brake Bracket (#5).
4. Remove worn Pads (#6) from Housing (#7).
5. Install new Pads (#6) in Housing (#7).
6. Apply an anti-seize grease to machined "V" in Brake Bracket (#5). Slide Housing (#7) back into Brake Bracket. Check to ensure Pads (#6) and Brake Bracket float freely without any binding.

NOTE: Take care to avoid getting any anti-seize on the friction material.

7. Follow Installation Instructions to continue.

DISASSEMBLY INSTRUCTIONS:

1. Disconnect fluid lines.
2. Unbolt mounting bolts and remove Brake Assembly from disc.
3. Slide Housing (#7) out of Brake Bracket (#5).
4. Remove worn Pads (#6) from Housing (#7).

ASSEMBLY INSTRUCTIONS:

1. Install new Pads (#6) in Housing (#7).
 2. Apply an anti-seize grease to machined "V" in Brake Bracket (#5). Slide Housing (#7) back into Brake Bracket. Check to ensure Pads (#6) and Brake Bracket float freely without any binding.
- NOTE: Take care to avoid getting any anti-seize on the friction material.*
3. Follow Installation Instructions to continue.



3800 County Road 116, Hamel, MN 55340
<http://www.Tolomatic.com> • Email: Help@Tolomatic.com
 Phone: (763) 478-8000 • Fax: (763) 478-8080 • Toll Free: 1-800-328-2174



Information furnished is believed to be accurate and reliable. However, Tolomatic assumes no responsibility for its use or for any errors that may appear in this document. Tolomatic reserves the right to change the design or operation of the equipment described herein and any associated motion products without notice. Information in this document is subject to change without notice.