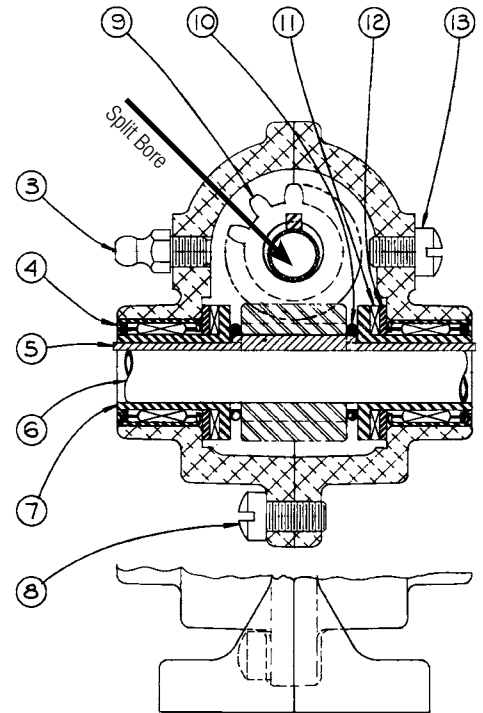
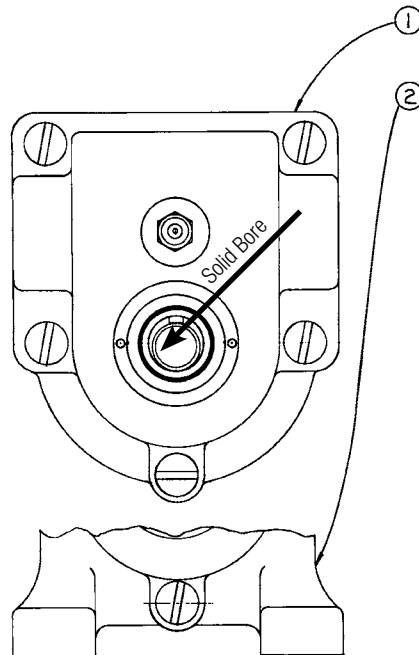


FLOAT-A-SHAFT® Compact Series – 1:1 Ratio METRIC

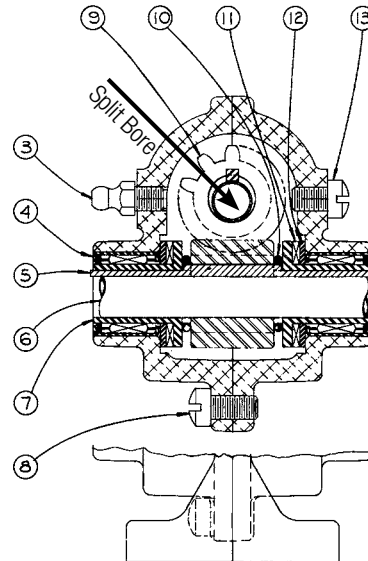
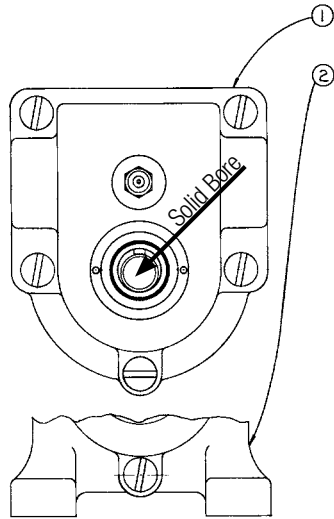
Standard Mount & Foot Mount - High Torque - Roller Bearing

	MODEL	R/LH	BORES
STANDARD MOUNT	0120-0100	RH	12MM X 12MM
	0121-0100	LH	12MM X 12MM
	0122-0100	RH	12MM X 15MM
	0123-0100	LH	12MM X 15MM
	0124-0100	RH	15MM X 15MM
FOOT MOUNT	0125-0100	LH	15MM X 15MM
	0126-0100	RH	12MM X 12MM
	0127-0100	LH	12MM X 12MM
	0128-0100	RH	12MM X 15MM
	0129-0100	LH	12MM X 15MM
	0130-0100	RH	15MM X 15MM
0131-0100	LH	15MM X 15MM	



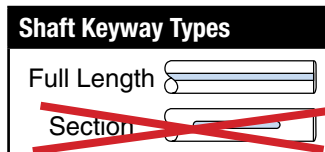
ITEM	PART NO.	DESCRIPTION	QUANTITY											
			STANDARD MOUNT					FOOT MOUNT						
			0120-0100	0121-0100	0122-0100	0123-0100	0124-0100	0125-0100	0126-0100	0127-0100	0128-0100	0129-0100	0130-0100	0131-0100
1	0110-9110	GEAR CASE HOUSING, COMPACT	1	1	1	1	1	1						
2	0112-9112	GEAR CASE HOUSING, FOOT MOUNT, COMPACT							1	1	1	1	1	1
3	0100-1601	ZERK GREASE FITTING, 1/4-28	1	1	1	1	1	1	1	1	1	1	1	1
4	0100-1220	BEARING, NEEDLE, ROLLER	4	4	4	4	4	4	4	4	4	4	4	4
5	0100-1505	KEY, STEP, 4MM X 4MM	2	2	1	1		2	2	1	1			
	0100-1504	KEY, STEP, 4MM X 4MM			1	1	2	2		1	1	2	2	
6	0100-1708	ROD, DOWEL, PAPER	2	2	1	1		2	2	1	1			
	0100-1710	ROD, DOWEL, PLASTIC			1	1	2	2		1	1	2	2	
7	0100-3401	BUSHING, FLANGE 12MM BORE	4	4	2	2		4	4	2	2			
	0100-3402	BUSHING, FLANGE 15MM BORE			2	2	4	4		2	2	4	4	
8	0200-1810	SCREW, FILL HD, 1/4-20	5	5	5	5	5	5	5	5	5	5	5	5
9	0100-2102	GEAR, 10 T, RH	2		1			2		1				
	0100-1102	GEAR, 10 T, LH		2		1			2		1			
	0100-2103	GEAR, 10 T, RH			1		2			1		2		
	0100-1103	GEAR, 10 T, LH				1		2			1		2	
10	0100-1006	O-RING, VITON	4	4	4	4	4	4	4	4	4	4	4	4
11	0200-1212	BEARING, THRUST	4	4	4	4	4	4	4	4	4	4	4	4
12	0100-1312	WASHER, THRUST	4	4	4	4	4	4	4	4	4	4	4	4
13	0100-2604	SCREW, FILL HD, 1/4-20	1	1	1	1	1	1	1	1	1	1	1	1

Drawing repeated for reference



Installation

Keyway MUST extend to end of shaft. IT IS NOT POSSIBLE TO USE A SECTIONED SHAFT WITH A ROLLER BEARING FLOAT-A-SHAFT. Without removing the plastic tubes, align the Float-A-Shaft® with the shaft on which it is to be used and gently press it on. Be sure the key is properly aligned with the keyway. The plastic tubes will fall out as the shaft extends through the unit. Save the plastic tubes for removal of the Float-A-Shaft® for maintenance or repair. Be sure to reinsert the plastic tubes as the shaft is withdrawn, otherwise the internal parts will slip out of position and disassembly may be required to restore proper alignment.

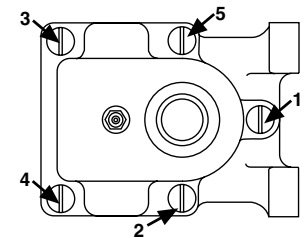


Reassembly: Reference the numbering diagram on page 1 to complete the following instructions, matching the numbers with corresponding bores.

SOLID BORE REASSEMBLY: Lay Gear Case Housing (1) horizontal, with inside surface facing up. Install Roller Bearing (4) in solid bores of Gear Case Housing (1). Apply Loctite® #601 on solid bores of gear case housing before pressing in roller bearings. Press from inside to outside. Inside face of roller bearing must be flush with inside machined surface of gear case housing. Slide one end of the Gear Case Housing (1) onto the most accessible end of one shaft. Then install a Thrust Washer (12), a Thrust Bearing (11), a Flanged Bushing (7), and an O-Ring (10). The O-Ring (10) should be temporarily positioned on the largest outside diameter of the flanged bushing at this time. Next, place the Key (5) in the keyway and slide the Gear (9) onto the shaft over the key. Position the Flanged Bushing (7) such that the key also engages the flanged bushing. On the opposite side of the gear, place an O-Ring (10) and a Flanged Bushing (7) engaging the Key (5). Temporarily position the O-Ring (10) on the largest outside diameter of the flanged bushing. Next, continue with a Thrust Bearing (11) and a Thrust Washer (12).

SPLIT BORE REASSEMBLY: On the other shaft, which is positioned at

a 90° angle, place the following parts: a loose Roller Bearing (4), a Thrust Washer (12), a Thrust Bearing (11), a Flanged Bushing (7), and an O-Ring (10). Place the O-Ring (10) on the largest outside diameter of the flanged bushing. Next, place the Key (5) in the keyway and slide the Gear (9) onto the shaft over the key. The key should engage both the Flanged Bushing (7) and Gear (9). On the opposite side of the gear, place an O-Ring (10), a Flanged Bushing (7), a Thrust Bearing (11), a Thrust Washer (12), and a Roller Bearing (4). Position the O-Ring (10) on the largest outside diameter of the flanged bushing. Apply Loctite® #601 on solid bores of gear case housing before pressing in roller bearings. Position this total assembly into the Gear Case Housing (1), making sure the teeth of the gears mesh. CAUTION: When trying to get the gears to mesh, rotate the gears to prevent possible damage to the teeth. Refer to diagram on page 1 for proper O-Ring (10) positioning. To complete assembly, install the other half of the Gear Case Housing (1) and tighten the Screws (8) in the order shown here, check for possible misalignment of the shafts or for oversized shaft diameters.



Lubrication: All Float-A-Shaft® gear boxes have been lubricated at the factory with Mobilith® SHC 460. However, units require more lubrication prior to operation. Periodic re-lubrication is also necessary for optimum performance. When re-lubricating, inject Mobilith® SHC 460 (maximum operating temperature of 300°F or higher and EP rated) into gear case, as required, via the grease zerk provided. Mobilith® SHC 460 - 14 oz grease cartridge • P/N 0100-1605

Shaft Requirements: Shafts should be made of power transmission steel grade 4140 or better. A tolerance of +.000/- .002 is recommended for the shaft diameters. The shaft surfaces should be 32 RMS maximum for stationary applications, and 16 RMS maximum for traversing applications. Shaft straightness should be .0015 TIR per foot.

Mobilith® SHC 460 is a registered trademark of Exxon Mobil Corporation, www.mobil.com
Float-A-Shaft® is a registered trademark of Tolomatic, Inc.



COMPANY WITH
QUALITY SYSTEM
CERTIFIED BY DNV GL
= ISO 9001 =

3800 County Road 116, Hamel, MN 55340 USA
http://www.Tolomatic.com • Email: Help@Tolomatic.com
Phone: (763) 478-8000 • Fax: (763) 478-8080 • Toll Free: 1-800-328-2174

© 2022 Tolomatic 202202170928

All brand and product names are trademarks or registered trademarks of their respective owners. Information in this document is believed accurate at time of printing. However, Tolomatic assumes no responsibility for its use or for any errors that may appear in this document. Tolomatic reserves the right to change the design or operation of the equipment described herein and any associated motion products without notice. Information in this document is subject to change without notice.

Visit www.tolomatic.com for the most up-to-date technical information